



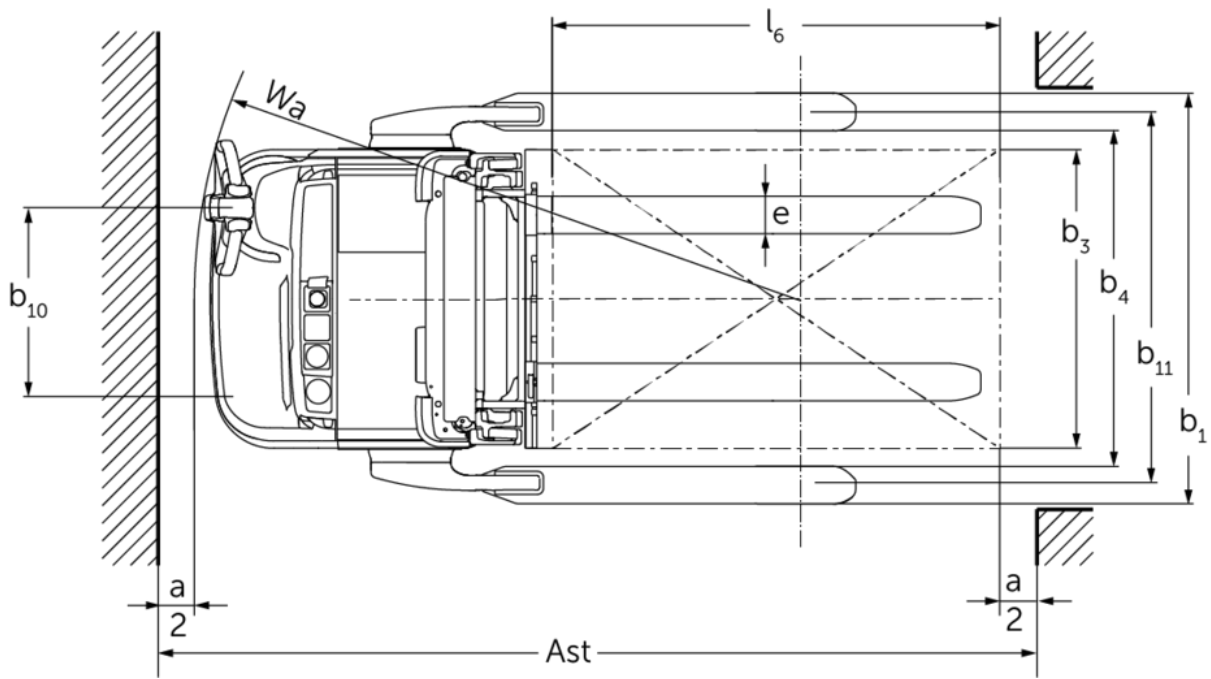
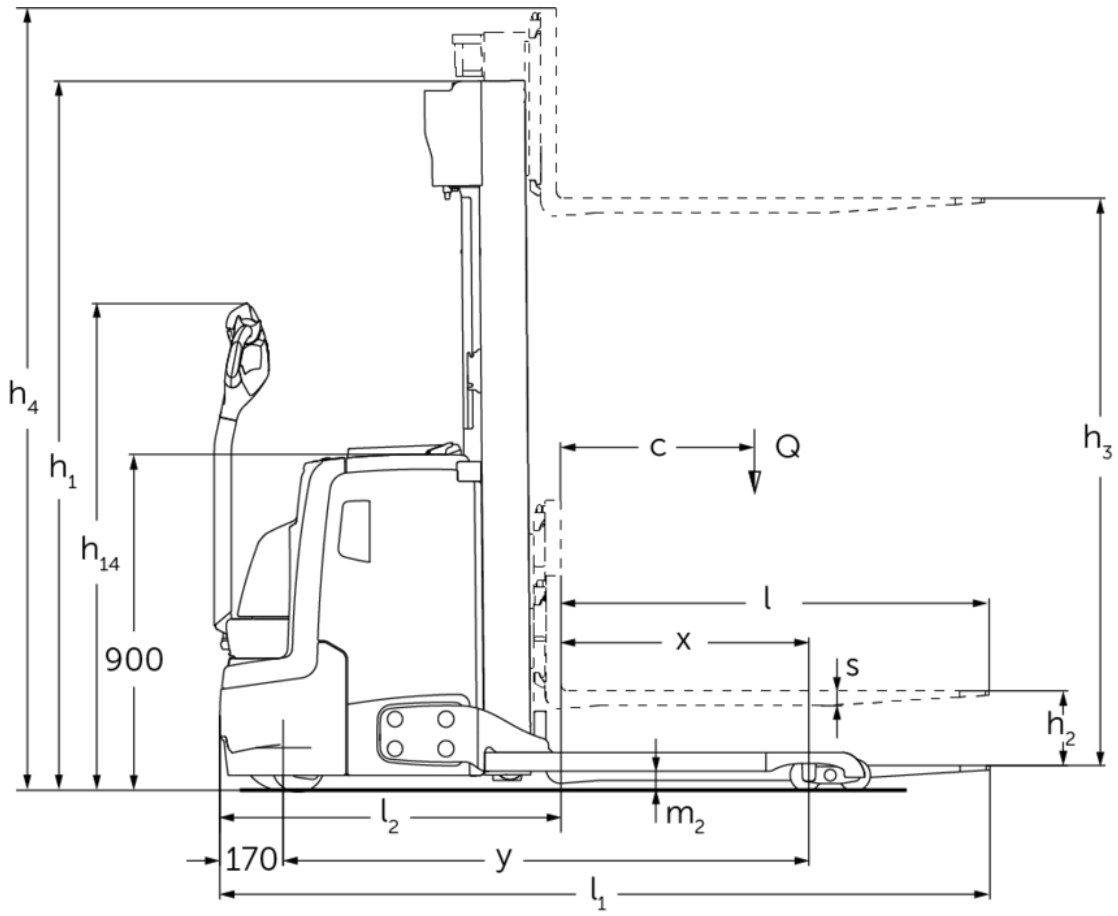
Electric pedestrian stacker

EJC 212b–220b

Lift height: 2500-6000 mm / Load capacity: 1200-2000 kg



EJC 212b-220b



EJC 212b–220b

EJC 212b	Lift (h3)	Retracted mast height (h1)	Free lift (h2)	Extended mast height (h4)
Duplex mast ZT	2500 mm	1750 mm	100 mm	3070 mm
	2700 mm	1850 mm	100 mm	3270 mm
	2900 mm	1950 mm	100 mm	3470 mm
	3200 mm	2100 mm	100 mm	3770 mm
	3600 mm	2300 mm	100 mm	4170 mm
Duplex mast ZZ	2500 mm	1700 mm	1225 mm	3070 mm
	2900 mm	1900 mm	1425 mm	3470 mm
	3200 mm	2050 mm	1575 mm	3770 mm
	3600 mm	2250 mm	1775 mm	4170 mm
Triplex mast DZ	4090 mm	1845 mm	1250 mm	4690 mm
	4300 mm	1915 mm	1430 mm	4870 mm
	4700 mm	2050 mm	1565 mm	5275 mm
EJC 214b	Lift (h3)	Retracted mast height (h1)	Free lift (h2)	Extended mast height (h4)
Duplex mast ZT	2500 mm	1750 mm	100 mm	3070 mm
	2700 mm	1850 mm	100 mm	3270 mm
	2900 mm	1950 mm	100 mm	3470 mm
	3200 mm	2100 mm	100 mm	3770 mm
	3600 mm	2300 mm	100 mm	4170 mm
	4100 mm	2550 mm	100 mm	4670 mm
	4300 mm	2650 mm	100 mm	4870 mm
	4500 mm	2750 mm	100 mm	5070 mm
Duplex mast ZZ	2500 mm	1700 mm	1130 mm	3070 mm
	2900 mm	1900 mm	1330 mm	3470 mm
	3200 mm	2050 mm	1480 mm	3770 mm
	3600 mm	2250 mm	1680 mm	4170 mm
	4100 mm	2500 mm	1930 mm	4670 mm
	4300 mm	2600 mm	2030 mm	4870 mm
Triplex mast DZ	4090 mm	1830 mm	1260 mm	4660 mm

	4300 mm	1900 mm	1330 mm	4870 mm
	4690 mm	2030 mm	1460 mm	5260 mm
	5350 mm	2250 mm	1680 mm	5920 mm
EJC 214b, EJC 216b	Lift (h3)	Retracted mast height (h1)	Free lift (h2)	Extended mast height (h4)
Triplex mast DZ	6000 mm	2500 mm	1930 mm	6570 mm
EJC 216b	Lift (h3)	Retracted mast height (h1)	Free lift (h2)	Extended mast height (h4)
	2400 mm	1750 mm	100 mm	2970 mm
	2600 mm	1850 mm	100 mm	3170 mm
	2800 mm	1950 mm	100 mm	3370 mm
	3100 mm	2100 mm	100 mm	3670 mm
Duplex mast ZT	3500 mm	2300 mm	100 mm	4070 mm
	3800 mm	2450 mm	100 mm	4370 mm
	4000 mm	2550 mm	100 mm	4570 mm
	4200 mm	2650 mm	100 mm	4770 mm
	4400 mm	2750 mm	100 mm	4970 mm
	2400 mm	1700 mm	1130 mm	2970 mm
	2800 mm	1900 mm	1330 mm	3370 mm
Duplex mast ZZ	3100 mm	2050 mm	1480 mm	3670 mm
	3500 mm	2250 mm	1680 mm	4070 mm
	4000 mm	2500 mm	1930 mm	4570 mm
	4200 mm	2600 mm	2030 mm	4770 mm
	3990 mm	1830 mm	1260 mm	4560 mm
Triplex mast DZ	4200 mm	1900 mm	1330 mm	4770 mm
	4590 mm	2030 mm	1460 mm	5160 mm
	5250 mm	2250 mm	1680 mm	5820 mm
EJC 220b	Lift (h3)	Retracted mast height (h1)	Free lift (h2)	Extended mast height (h4)
	2540 mm	1950 mm	100 mm	3195 mm
Duplex mast ZT	2840 mm	2100 mm	100 mm	3495 mm
	3540 mm	2450 mm	100 mm	4195 mm

Duplex mast ZZ	2540 mm	1900 mm	1245 mm	3195 mm
	2840 mm	2050 mm	1395 mm	3495 mm
	3540 mm	2400 mm	1745 mm	4195 mm
Triplex mast DZ	3750 mm	1900 mm	1218 mm	4432 mm
	4200 mm	2050 mm	1368 mm	4882 mm
	4800 mm	2250 mm	1568 mm	5482 mm

VDI table

Characteristic	1.1	Manufacturer (abbreviated description)		Jungheinrich			
	1.3	Drive		Electric			
	1.4	Operation		Pedestrian			
	1.5	Load capacity/load	Q kg	1200	1400	1600	2000
	1.6	Load centre distance	c mm	600			
	1.8	Load distance, centre of drive axle to fork	x mm	703	668		
	1.9	Wheelbase	y mm	1347	1409		
	Weights	2.1.1	Service weight (incl. battery)	kg	1065	1146	
2.2		Axle load laden front/rear	kg	800 / 1465	822 / 1724	828 / 1918	860 / 2320
2.3		Axle load unladen front/rear	kg	730 / 335	753 / 393		770 / 410
Wheels/suspension system	3.1	Tyres		Polyurethane (PU)			
	3.2	Tyre size, front		Ø 230 x 70			
	3.3	Tyre size, rear		Ø 85 x 75			
	3.4	Additional wheels		Ø 140 x 57			
	3.5	Wheels, number front/back (x=driven)		1x + 1 / 4			
	3.6	Tread width, front	b10 mm	507			
	3.7	Tread width, rear	b11 mm	1000			
Basic dimensions	4.2	Retracted mast height (h1)	h1 mm	1950			2100
	4.3	Free lift (h2)	h2 mm	100			
	4.4	Lift (h3)	h3 mm	2900	2800		2840
	4.5	Extended mast height (h4)	h4 mm	3470	3370		3495
	4.9	Height of tiller handle in drive position min./max.	h14 mm	850 / 1305			
	4.19	total length	l1 mm	1963	2060		
	4.20	Length including fork shank	l2 mm	813	910		
	4.21.1	total width	b1 mm	1100			
	4.22	Fork dimensions	s/e/ l mm	40 x 100 x 1150			40 x 120 x 1150
	4.24	Fork carriage width	b3 mm	800			
	4.32	Ground clearance centre of wheelbase	m2 mm	50			40
	Performance data	5.1	Travel speed laden/unladen	km/h	6 / 6		
5.2		Lift speed laden/unladen	m/s	0.2 / 0.4	0.16 / 0.3	0.15 / 0.3	0.11 / 0.34
5.3		Lowering speed laden/unladen	m/s	0.45 / 0.35			0.5 / 0.35
5.8		Max. gradeability laden/unladen	%	8 / 16	7 / 16		5 / 16

E-motor/Electronics	6.1	Drive motor, performance S2 60 min	kW	1.6			
	6.2	Lift motor, performance with S3	kW	3			
	6.3	Battery according to DIN 43531/35/36		no			
	6.4	Battery voltage/nominal capacity	V / Ah	24 / 300	24 / 375		
	6.5	Battery weight	kg	250	288		
	6.6	Energy consumption according to VDI cycle	kWh/h	1.05	1.18	1.32	0
	6.6.1	Energy consumption according to EN cycle	kWh/h	0.77	0.83	0.91	1.08
	6.6.2	CO2 equivalent according to EN ISO 23308	kg/h0	0.4		0.5	0.6
Other	8.1	Type of drive control		AC			
	10.7	Sound pressure level according to EN12053	dB (A)	63			

- This data sheet according to VDI guideline 2198 only states the technical values of the standard truck. Different tyres, other masts, additional equipment etc. may result in different values.

The values in the table apply for the battery compartment M-VBE (EJC 212b) / L-VBE (EJC 214b / 216b / 220b), ZT2800 / 2840 / 2900 mm mast, fork length 1,150 mm, tread width 1,000 mm.

- VDI no. 1.8 with EJC 212b / 214b / 216b: with DZ mast: x - 3 mm.
- VDI no. 1.8 with EJC 220b: with DZ mast: x - 32 mm.
- VDI no. 1.9 with EJC 214b / 216b / 220b: with M Li-ion battery compartment: y - 72 mm.
- VDI no. 3.7: depending on the set tread width: 1,000 mm / 1,170 mm / 1,370 mm.
- VDI no. 4.19 with EJC 212b / 214b / 216b: with DZ mast: l1 + 3 mm.
- VDI no. 4.19 with EJC 220b: with DZ mast: l1 + 32 mm.
- VDI no. 4.19 with EJC 214b / 216b / 220b: with M Li-ion battery compartment: l1 - 72 mm.
- VDI no. 4.20 with EJC 212b / 214b / 216b: with DZ mast: l2 + 3 mm.
- VDI no. 4.20 with EJC 220b: with DZ mast: l2 + 32 mm.
- VDI no. 4.20 with EJC 214b / 216b / 220b: with M Li-ion battery compartment: l2 - 72 mm.
- VDI no. 4.21: depending on the set tread width: 1,100 mm / 1,270 mm / 1,470 mm.
- VDI no. 4.24: optional: 975 mm available.
- VDI no. 4.34.1: diagonal as per VDI: aisle width + 203 mm / + 203 mm / + 259 mm (depending on tread width).
- VDI no. 4.34.1 with EJC 212b / 214b / 216b: with DZ mast: aisle width + 3 mm.
- VDI no. 4.34.1 with EJC 220b: with DZ mast: aisle width + 32 mm.
- VDI no. 4.34.1 with EJC 214b / 216b / 220b: with M Li-ion battery compartment: aisle width - 72 mm.
- VDI no. 4.34.2: diagonal as per VDI: aisle width + 133 mm / + 133 mm / + 209 mm (depending on tread width).
- VDI no. 4.34.2 with EJC 212b / 214b / 216b: with DZ mast: aisle width + 3 mm.
- VDI no. 4.34.2 with EJC 220b: with DZ mast: aisle width + 32 mm.
- VDI no. 4.34.2 with EJC 214b / 216b / 220b: with M Li-ion battery compartment: aisle width - 72 mm.
- VDI no. 4.35 with EJC 214b / 216b / 220b: with M Li-ion battery compartment: Wa - 72 mm.
- VDI no. 5.3: with ZZ / DZ mast: the lowering speed in free lift is below the specified values.

The German production facilities in
Norderstedt, Moosburg and Landsberg are
certified as well as our Genuine Parts
Center in Kaltenkirchen.

ISO 9001
ISO 14001

Jungheinrich fork lift trucks meet European
safety requirements.



 **JUNGHEINRICH**

The logo features a red upward-pointing arrow integrated into the letter 'J' of the word 'JUNGHEINRICH', which is written in a bold, black, sans-serif font.