



Medium/high level order picker

EKS 110

Lift height: 1000-2800 mm / Load capacity: 1000 kg



EKS 110

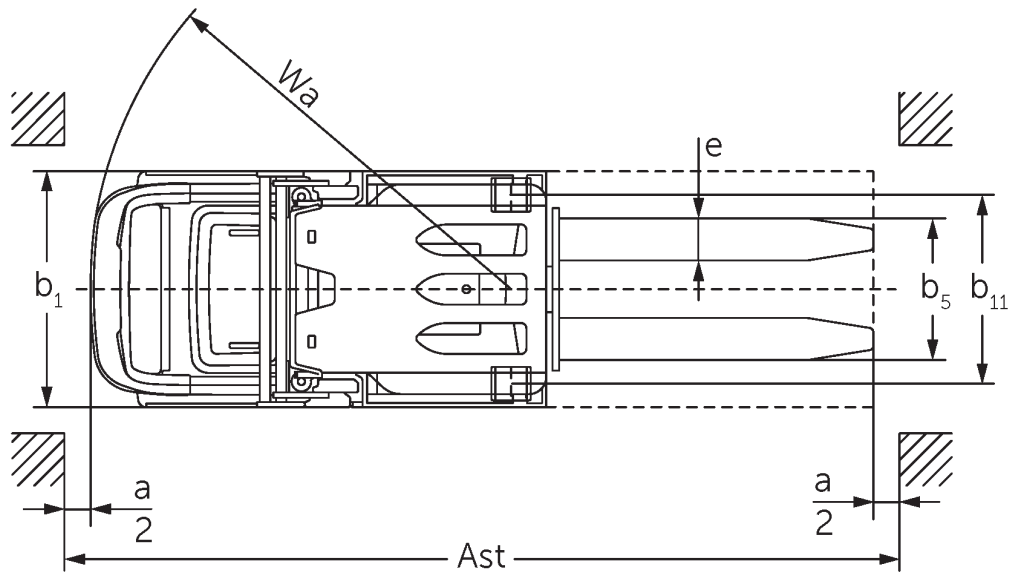
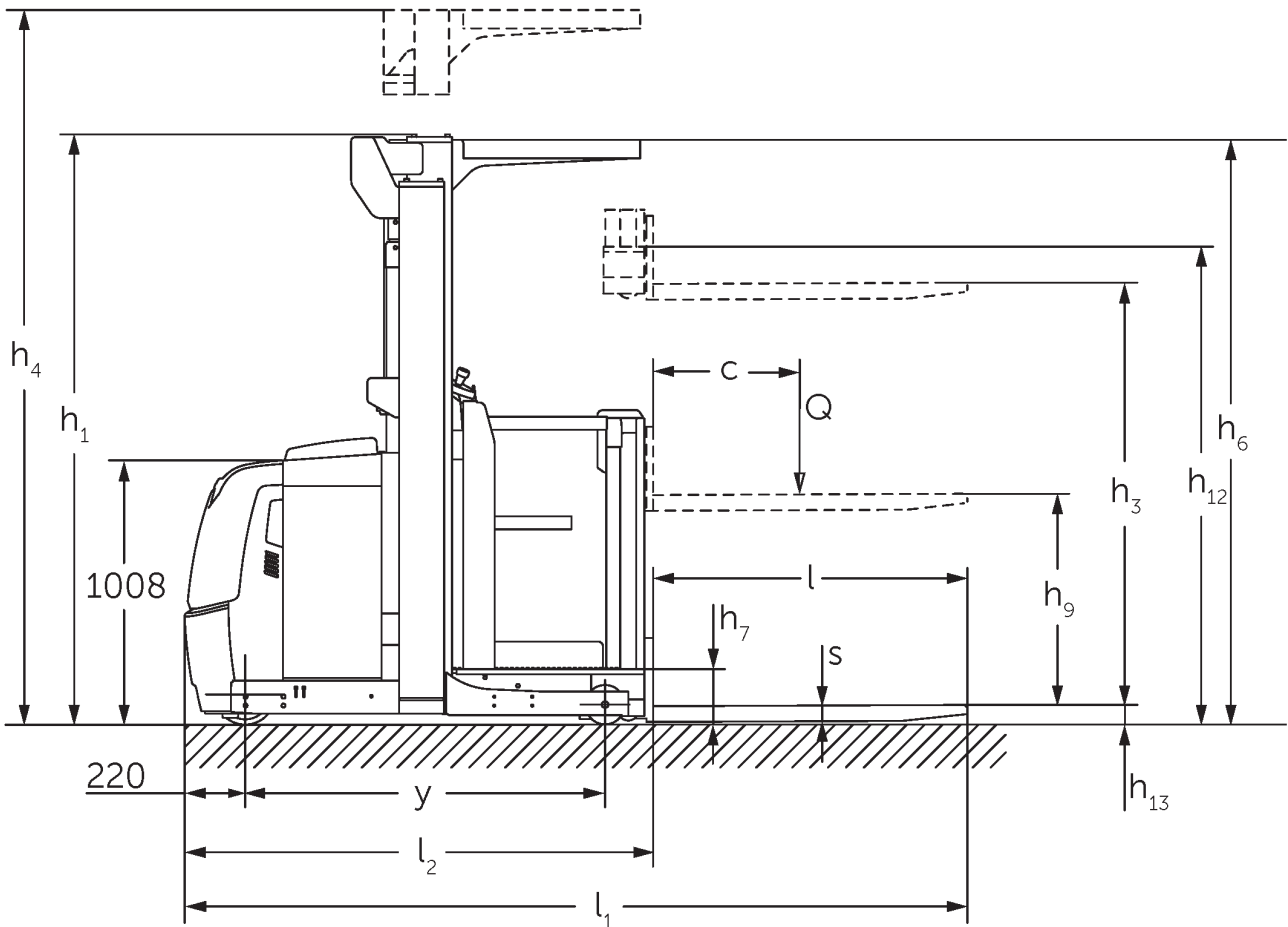
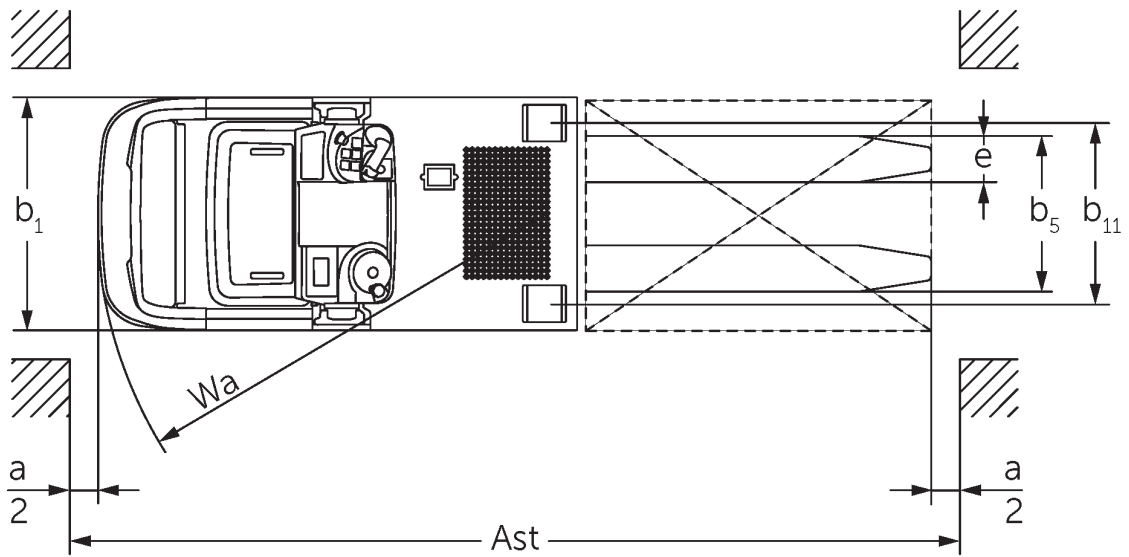


Figure shows EKS 110 Z 280 ZZ



Picture shows EKS 110 L 100 E

VDI table

Characteristic	1.1	Manufacturer (abbreviated description)			Jungheinrich	
	1.3	Drive			Electric	
	1.4	Operation			Order pickers	
	1.5	Load capacity/load	Q	kg	1000	
	1.6	Load centre distance	c	mm	600	
	1.8	Load distance, centre of drive axle to fork	x	mm	180	185
	1.9	Wheelbase	y	mm	1385	
Weights	2.1.1	Service weight (incl. battery)		kg	2268	2390
	2.2	Axle load laden front/rear		kg	762 / 2506	754 / 2636
	2.3	Axle load unladen front/rear		kg	1336 / 932	1328 / 1062
Wheels/suspension system	3.1	Tyres			Vulkollan®	
	3.2	Tyre size, front			ø 230 x 80	
	3.3	Tyre size, rear			ø 150 x 130	
	3.5	Wheels, number front/back (x=driven)			1x / 2	
	3.7	Tread width, rear	b11	mm	720	
Basic dimensions	4.2	Retracted mast height (h1)	h1	mm	2250	
	4.4	Lift (h3)	h3	mm	2800	
	4.5	Extended mast height (h4)	h4	mm	5030	
	4.7	Height of overhead guard (cab)	h6	mm	2230	
	4.8.1	Stand height	h7	mm	200	
	4.11	Additional lift	h9	mm	-	800
	4.14	Stand height, elevated	h12	mm	3000	
	4.15	Height, lowered	h13	mm	80	
	4.19	total length	l1	mm	2980	2985
	4.20	Length including fork shank	l2	mm	1780	1785
	4.21.1	total width	b1	mm	900	
	4.22	Fork dimensions	s/e/l	mm	60 x 160 x 1200	
	4.25	Width across forks	b5	mm	540	
	4.26	Width between support arms/loading areas	b4	mm	520	
	4.27	Width over guide rollers	b6	mm	1060	
	4.31	Ground clearance laden under mast	m1	mm	35	
4.34.1	Aisle width (pallet 1000x1200 sideways)	Ast	mm	3127		
4.34.2	Aisle width (pallet 800x1200 length)	Ast	mm	3240	3245	
4.35	Turning radius	Wa	mm	1603		
Performance data	5.1	Travel speed laden/unladen (Efficiency drivePLUS)		km/h	9 / 9 9 / 11	
	5.2	Lift speed laden/unladen		m/s	0.23 / 0.31	
	5.3	Lowering speed laden/unladen		m/s	0.28 / 0.26	
	5.7	Gradeability laden/unladen		%	5 / 10	
	5.10	Service brake			generative	
	5.11	Parking brake			Electromagnetic spring-loaded brake system	

E-motor/Electronics	6.1	Drive motor, performance S2 60 min	kW	3.2
	6.2	Lift motor, performance with S3	kW	6
	6.3	Battery according to DIN 43531/35/36		DIN 43535 B
	6.4	Battery voltage/nominal capacity	V / Ah	24 / 620
	6.5	Battery weight	kg	480
	6.6.1	Energy consumption according to EN cycle	kWh/h	0.42
Other	8.1	Type of drive control		AC
	10.5	Steering version		Electric power steering
	10.7	Sound pressure level according to EN12053	dB (A)	61

- This data sheet according to VDI guideline 2198 only states the technical values of the standard truck. Different tyres, other masts, additional equipment etc. may result in different values.

- 4.2: L100E with overhead guard 2,230 mm
- 4.5: L100E with overhead guard 3,230 mm
- 4.7: L100E and Z100E overhead guard optional

The German production facilities in
Norderstedt, Moosburg and Landsberg are
certified as well as our Genuine Parts
Center in Kaltenkirchen.

ISO 9001
ISO 14001

Jungheinrich fork lift trucks meet European
safety requirements.



 **JUNGHEINRICH**