



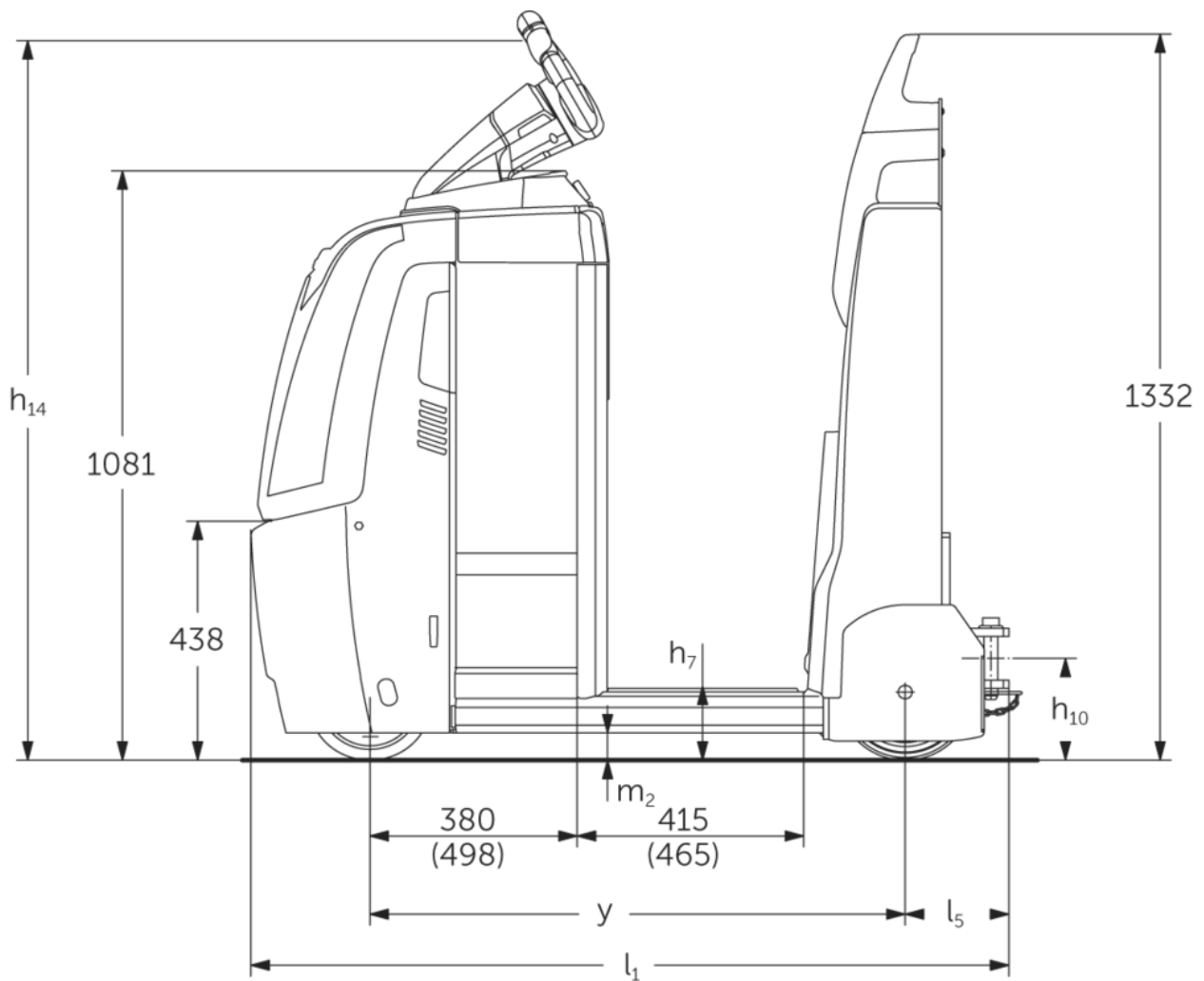
Electric tow tractor

EZS 350

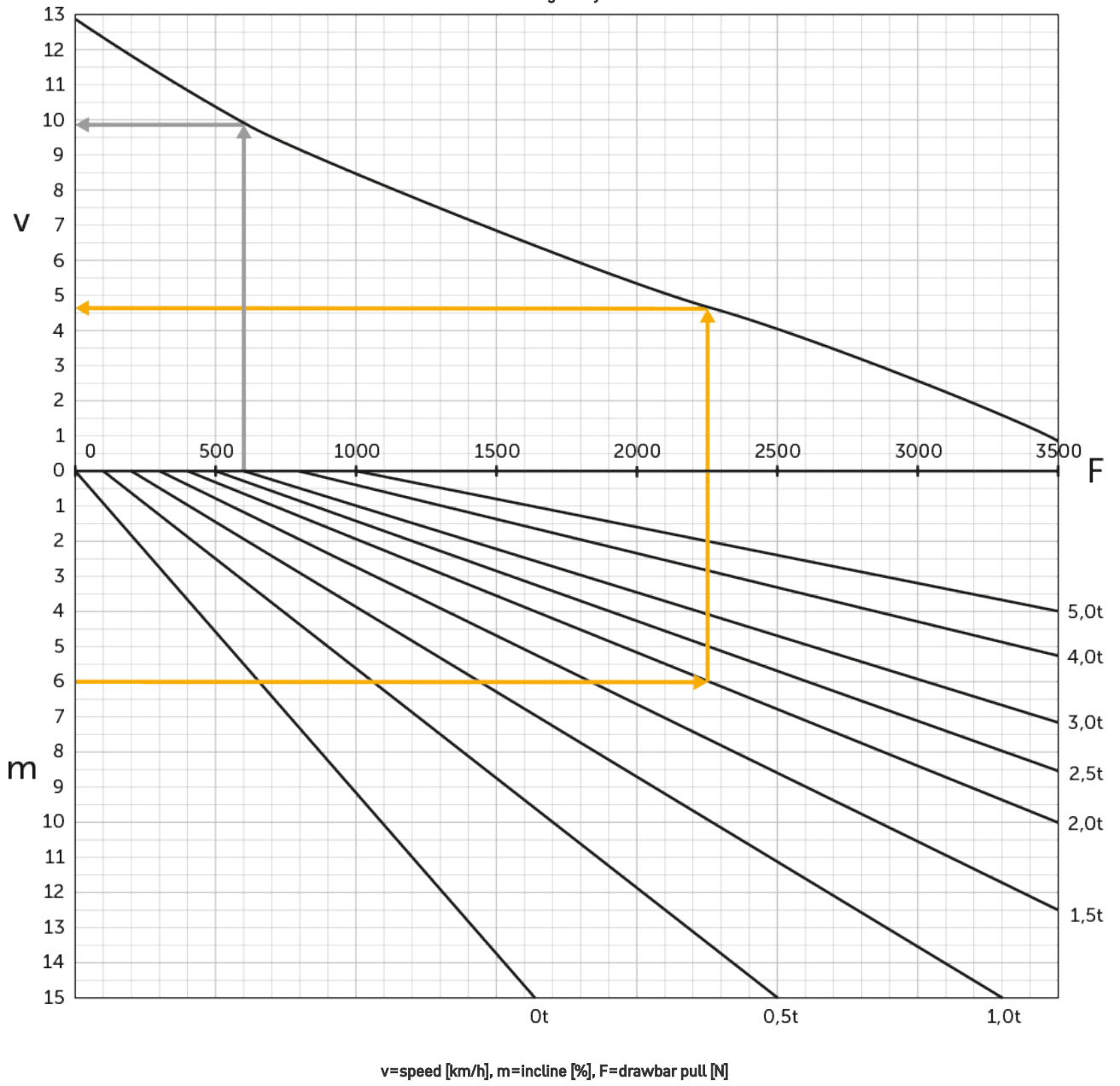
Towing capacity: 5000 kg



EZS 350



Pulling ability



VDI table

Characteristic	1.1	Manufacturer (abbreviated description)		Jungheinrich			
	1.3	Drive		Electric			
	1.4	Operation		Stand-on			
	1.5.3	Towing capacity	Q kg	5000			
	1.7	Rated drawbar pull	N	1000			
Weights	1.9	Wheelbase	y mm	980	1030	1098	1148
	2.1.1	Service weight (incl. battery)	kg	996	1006	1091	1101
Wheels/suspension system	2.3	Axle load unladen front/rear	kg	505 / 491	510 / 496	565 / 526	570 / 531
	3.1	Tyres		Polyurethane / Super-elastic			
	3.2	Tyre size, front		ø230 x 77			
	3.3	Tyre size, rear		ø250 x 80			
	3.5	Wheels, number front/back (x=driven)		1x/2			
Basic dimensions	3.7	Tread width, rear	b11 mm	680			
	4.8	Seat height/stand height	h7 mm	135			
	4.9	Height of tiller handle in drive position min./max.	h14 mm	1320			
	4.12	Coupling height	h10 mm	158			
	4.19	total length	l1 mm	1390	1440	1508	1558
	4.21.1	total width	b1 mm	810			
Performance data	4.32	Ground clearance centre of wheelbase	m2 mm	50			
	4.35	Turning radius	Wa mm	1210	1260	1328	1378
	5.1	Travel speed laden/unladen	km/h	8 / 12.5			
	5.1.1	Reverse travel speed with/without load	km/h	6 / 6			
	5.5	Drawbar pull laden/unladen	N	1000 / 1000			
E-motor/Electronics	5.6	Max. drawbar pull laden/unladen	N	3700 / 3700			
	5.10	Service brake		electromagnetic/generative			
E-motor/Electronics	6.1	Drive motor, performance S2 60 min	kW	2.8			
	6.4	Battery voltage/nominal capacity	V / Ah	24 / 465		24 / 620	
	6.5	Battery weight	kg	370		470	
	6.6.1	Energy consumption according to EN cycle	kWh/h	1.15			
	6.6.2	CO2 equivalent according to EN ISO 23308	kg/h0	0.6			

Other	8.1	Type of drive control		AC speedCONTROL
	10.7	Sound pressure level according to EN12053	dB (A)	66
<p>- This data sheet according to VDI guideline 2198 only states the technical values of the standard truck. Different tyres, other masts, additional equipment etc. may result in different values.</p>				

- VDI no. 4.9: the height applies to the version with jetPILOT
- VDI no. 4.12: the value for the coupling height applies to a single plug-in coupling. Other coupling heights are available
- VDI no. 4.19: as different coupling systems are available, the specification applies to the overall length including a single plug-in coupling
- VDI no. 5.1: see tow load diagram
- VDI no. 5.5: this value is the rated drawbar pull
- VDI no. 5.6: see tow load diagram

The German production facilities in
Norderstedt, Moosburg and Landsberg are
certified as well as our Genuine Parts
Center in Kaltenkirchen.

ISO 9001
ISO 14001

Jungheinrich fork lift trucks meet European
safety requirements.



 **JUNGHEINRICH**

The Jungheinrich logo, featuring a red upward-pointing arrow above the word 'JUNGHEINRICH' in a bold, black, sans-serif font.