



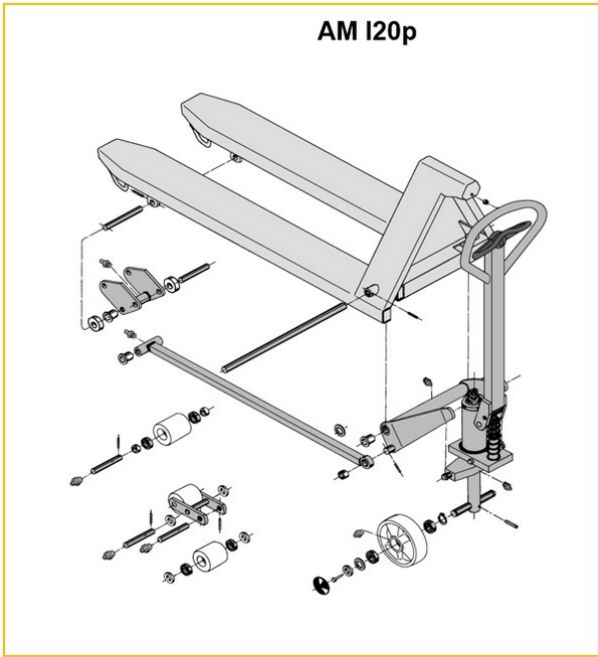
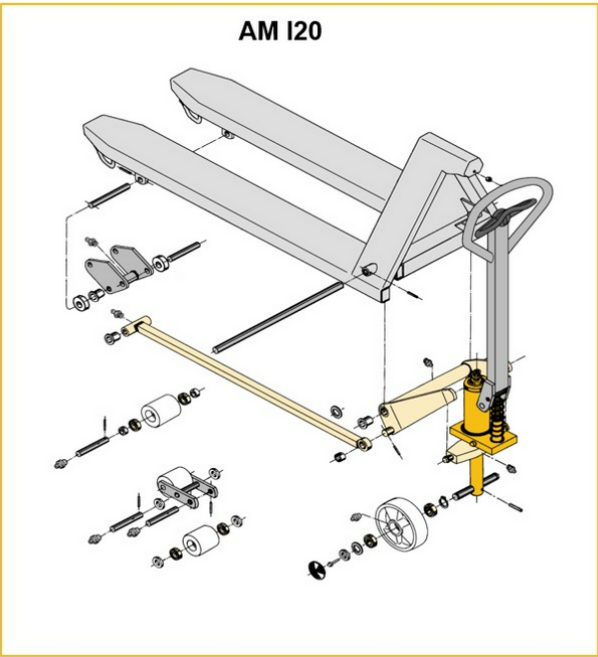
Hand pallet truck

AM l20/l20p

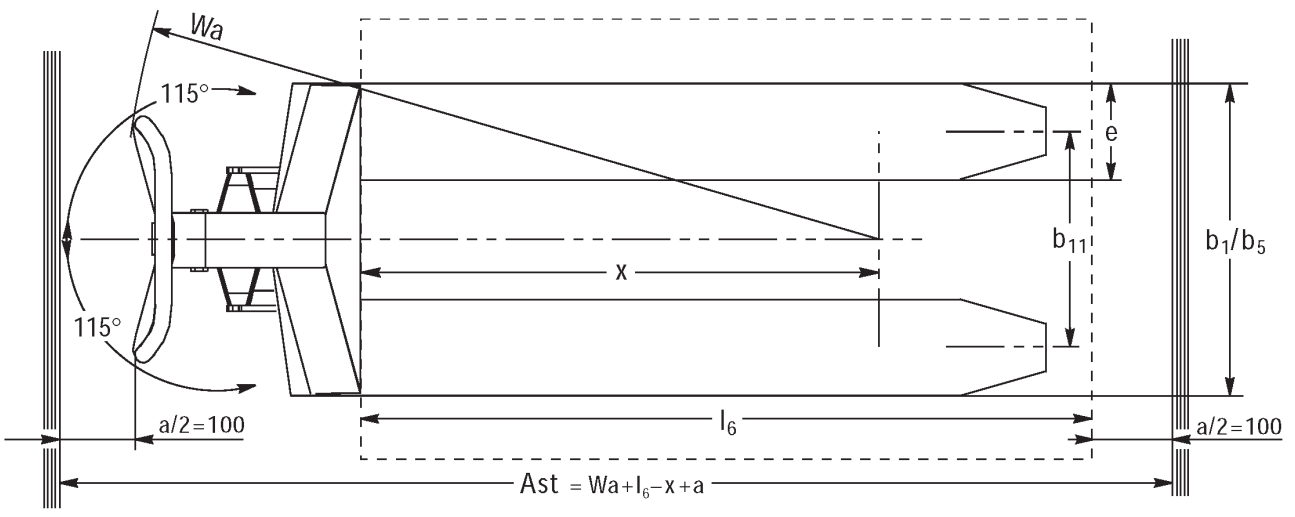
Lift height: 120 mm / Load capacity: 2000 kg

JUNGHEINRICH

AM I20/I20p



Inox AISI 316 (V4A)	Feuerverzinkt
Inox AISI 303/304 (V2A)	Verzinkt und gelb chromatiert



AM I20



AM 120p

VDI table

Characteristic	1.1	Manufacturer (abbreviated description)		Other (OEM)							
	1.3	Drive		Manual							
	1.4	Operation		Manual							
	1.5	Load capacity/load	Q kg	2000							
	1.6	Load centre distance	c mm	610				570			
Weights	1.9	Wheelbase	y mm	1245				1165			
	2.1	tare weight	kg	81		78			75		
Wheels/suspension system	2.1.1	Service weight (incl. battery)	kg	81		78			64		
	3.1	Tyres		V-BV	N-BN	V-GV	N-GN	V-BV	N-BN	C-GV	N-GN
	3.2	Tyre size, front		Ø 200x50							
	3.3	Tyre size, rear		Ø 80x70	Ø 80x65	Ø 80x90		Ø 80x70	Ø 80x65	Ø 80x90	
	3.5	Wheels, number front/back (x=driven)		2/2							
	3.6	Tread width, front	b10 mm	120							
	3.7	Tread width, rear	b11 mm	520							
Basic dimensions	4.4	Lift (h3)	h3 mm	120							
	4.9	Height of tiller handle in drive position min./max.	h14 mm	1170							
	4.14	Stand height, elevated	h12 mm	205							
	4.15	Height, lowered	h13 mm	85							
	4.19	total length	l1 mm	1555				1475			
	4.21.1	total width	b1 mm	680							
	4.22	Fork dimensions	s/ e/l mm	51 x 160 x 1220				51 x 160 x 1140			
	4.25	Width across forks	b5 mm	680							
	4.32	Ground clearance centre of wheelbase	m2 mm	34							
	4.34.1	Aisle width (pallet 1000×1200 sideways)	Ast mm	1610							
Performance data	4.34.2	Aisle width (pallet 800x1200 length)	Ast mm	1830				1810			
	4.35	Turning radius	Wa mm	1410				1330			
	5.3	Lowering speed laden/unladen	m/s	0.1 / 0.05							
- This data sheet according to VDI guideline 2198 only states the technical values of the standard truck. Different tyres, other masts, additional equipment etc. may result in different values.											

Characteristic	1.1	Manufacturer (abbreviated description)		Other (OEM)							
	1.3	Drive		Manual							
	1.4	Operation		Manual							
	1.5	Load capacity/load	Q kg	2000							
	1.6	Load centre distance	c mm	485				405			
	1.9	Wheelbase	y mm	995				835			
Weights	2.1	tare weight	kg	72		69			65		
	2.1.1	Service weight (incl. battery)	kg	72		69		66		64	
Wheels/suspension system	3.1	Tyres		V-BV	N-BN	V-GV	N-GN	V-BV	N-BN	V-GV	N-GN
	3.2	Tyre size, front		Ø 200x50							
	3.3	Tyre size, rear		Ø 80x70	Ø 80x65	Ø 80x90		Ø 80x70	Ø 80x65	Ø 80x90	
	3.5	Wheels, number front/back (x=driven)		2/2							
	3.6	Tread width, front	b10 mm	120							
	3.7	Tread width, rear	b11 mm	520							
	Basic dimensions	4.4	Lift (h3)	h3 mm	120						
4.9		Height of tiller handle in drive position min./max.	h14 mm	1170							
4.14		Stand height, elevated	h12 mm	205							
4.15		Height, lowered	h13 mm	85							
4.19		total length	l1 mm	1305				1145			
4.21.1		total width	b1 mm	680							
4.22		Fork dimensions	s/ e/l mm	51 x 160 x 970				51 x 160 x 810			
4.25		Width across forks	b5 mm	680							
4.32		Ground clearance centre of wheelbase	m2 mm	34							
4.34.1		Aisle width (pallet 1000×1200 sideways)	Ast mm	1610							
4.34.2		Aisle width (pallet 800x1200 length)	Ast mm	1810							
4.35	Turning radius	Wa mm	1160				1000				
Performance data	5.3	Lowering speed laden/unladen	m/s	0.1 / 0.05							
<p>- This data sheet according to VDI guideline 2198 only states the technical values of the standard truck. Different tyres, other masts, additional equipment etc. may result in different values.</p>											

Characteristic	1.1	Manufacturer (abbreviated description)		Other (OEM)							
	1.3	Drive		Manual							
	1.4	Operation		Manual							
	1.5	Load capacity/load	Q kg	2000							
	1.6	Load centre distance	c mm	610				570			
Weights	1.9	Wheelbase	y mm	1245				1165			
	2.1	tare weight	kg	75	72			69			
	2.1.1	Service weight (incl. battery)	kg	75	72	64					
	2.2	Axle load laden front/rear	-	- / -							636 / 1432
	2.3	Axle load unladen front/rear	-	- / -							21 / 47
Wheels/suspension system	3.1	Tyres		V-BV	N-BN	V-GV	N-GN	V-BV	N-BN	V-GV	N-GN
	3.2	Tyre size, front		Ø 200x50							
	3.3	Tyre size, rear		Ø 80x70	Ø 80x65	Ø 80x90		Ø 80x70	Ø 80x65	Ø 80x90	
	3.5	Wheels, number front/back (x=driven)		2/2							
	3.6	Tread width, front	b10 mm	120							
	3.7	Tread width, rear	b11 mm	360							
	Basic dimensions	4.4	Lift (h3)	h3 mm	120						
4.9		Height of tiller handle in drive position min./max.	h14 mm	1170							1220 / 1170
4.14		Stand height, elevated	h12 mm	205							
4.15		Height, lowered	h13 mm	85							
4.19		total length	l1 mm	1555				1475			
4.20		Length including fork shank	l2 mm	-							340
4.21.1		total width	b1 mm	520							
4.22		Fork dimensions	s/ e/l mm	51 x 160 x 1220				51 x 160 x 1140			
4.25		Width across forks	b5 mm	520							
4.32		Ground clearance centre of wheelbase	m2 mm	34							
4.34.1		Aisle width (pallet 1000×1200 sideways)	Ast mm	1610							
Performance data		4.34.2	Aisle width (pallet 800x1200 length)	Ast mm	1830				1810		
	4.35	Turning radius	Wa mm	1410				1330			
Performance data	5.3	Lowering speed laden/unladen	m/s	0.1 / 0.05							
<p>- This data sheet according to VDI guideline 2198 only states the technical values of the standard truck. Different tyres, other masts, additional equipment etc. may result in different values.</p>											

Characteristic	1.1	Manufacturer (abbreviated description)		Other (OEM)							
	1.3	Drive		Manual							
	1.4	Operation		Manual							
	1.5	Load capacity/load	Q kg	2000							
	1.6	Load centre distance	c mm	485				405			
	1.9	Wheelbase	y mm	995				835			
Weights	2.1	tare weight	kg	66	63				59		
	2.1.1	Service weight (incl. battery)	kg	66	63				64		
Wheels/suspension system	3.1	Tyres		V-BV	N-BN	V-GV	N-GN	V-BV	N-BN	V-GV	N-GN
	3.2	Tyre size, front		Ø 200x50							
	3.3	Tyre size, rear		Ø 80x70	Ø 80x65	Ø 80x90		Ø 80x70	Ø 80x65	Ø 80x90	
	3.5	Wheels, number front/back (x=driven)		2/2							
	3.6	Tread width, front	b10 mm	120							
	3.7	Tread width, rear	b11 mm	360				335			360
	Basic dimensions	4.4	Lift (h3)	h3 mm	120						
4.9		Height of tiller handle in drive position min./max.	h14 mm	1170							
4.14		Stand height, elevated	h12 mm	205							
4.15		Height, lowered	h13 mm	85							
4.19		total length	l1 mm	1305				1145			
4.21.1		total width	b1 mm	520							
4.22		Fork dimensions	s/ e/l mm	51 x 160 x 970				51 x 160 x 810			
4.25		Width across forks	b5 mm	520							
4.32		Ground clearance centre of wheelbase	m2 mm	34							
4.34.1		Aisle width (pallet 1000×1200 sideways)	Ast mm	1610							
4.34.2	Aisle width (pallet 800x1200 length)	Ast mm	1810								
4.35	Turning radius	Wa mm	1160				1000				
Performance data	5.3	Lowering speed laden/unladen	m/s	0.1 / 0.05							
<p>- This data sheet according to VDI guideline 2198 only states the technical values of the standard truck. Different tyres, other masts, additional equipment etc. may result in different values.</p>											

Characteristic	1.1	Manufacturer (abbreviated description)		Other (OEM)							
	1.3	Drive		Manual							
	1.4	Operation		Manual							
	1.5	Load capacity/load	Q kg	2000							
	1.6	Load centre distance	c mm	405				485			
	1.9	Wheelbase	y mm	835				995			
Weights	2.1	tare weight	kg	59		63				66	
	2.1.1	Service weight (incl. battery)	kg	59		63				66	
Wheels/suspension system	3.1	Tyres		N-GN	V-GV	N-BN	V-BV	N-GN	V-GV	N-BN	V-BV
	3.2	Tyre size, front		Ø 200x50							
	3.3	Tyre size, rear		Ø 80x90		Ø 80x65	Ø 80x70	Ø 80x90		Ø 80x65	Ø 80x70
	3.5	Wheels, number front/back (x=driven)		2/2							
	3.6	Tread width, front	b10 mm	120							
	3.7	Tread width, rear	b11 mm	360							
	Basic dimensions	4.4	Lift (h3)	h3 mm	120						
4.9		Height of tiller handle in drive position min./max.	h14 mm	1170							
4.14		Stand height, elevated	h12 mm	200							
4.15		Height, lowered	h13 mm	85							
4.19		total length	l1 mm	1145				1305			
4.21.1		total width	b1 mm	520							
4.22		Fork dimensions	s/ e/l mm	51 x 160 x 810				51 x 160 x 970			
4.25		Width across forks	b5 mm	520							
4.32		Ground clearance centre of wheelbase	m2 mm	34	38						
4.34.1		Aisle width (pallet 1000×1200 sideways)	Ast mm	1610							
4.34.2		Aisle width (pallet 800x1200 length)	Ast mm	1810							
4.35	Turning radius	Wa mm	1000				1160				
Performance data	5.3	Lowering speed laden/unladen	m/s	0.1 / 0.05							
<p>- This data sheet according to VDI guideline 2198 only states the technical values of the standard truck. Different tyres, other masts, additional equipment etc. may result in different values.</p>											

Characteristic	1.1	Manufacturer (abbreviated description)		Other (OEM)							
	1.3	Drive		Manual							
	1.4	Operation		Manual							
	1.5	Load capacity/load	Q kg	2000							
	1.6	Load centre distance	c mm	570				610			
	1.9	Wheelbase	y mm	1165				1245			
Weights	2.1	tare weight	kg	69		72		75			
	2.1.1	Service weight (incl. battery)	kg	69		72		75			
	2.2	Axle load laden front/rear	kg	636 / 1432		- / -					
	2.3	Axle load unladen front/rear	kg	21 / 47		- / -					
Wheels/suspension system	3.1	Tyres		N-GN	V-GV	N-BN	V-BV	N-GN	V-GV	N-BN	V-BV
	3.2	Tyre size, front		Ø 200x50							
	3.3	Tyre size, rear		Ø 80x90		Ø 80x65	Ø 80x70	Ø 80x90		Ø 80x65	Ø 80x90
	3.5	Wheels, number front/back (x=driven)		2/2							
	3.6	Tread width, front	b10 mm	120							
	3.7	Tread width, rear	b11 mm	360							
	Basic dimensions	4.4	Lift (h3)	h3 mm	120						
4.9		Height of tiller handle in drive position min./max.	h14 mm	1170							
4.14		Stand height, elevated	h12 mm	200							
4.15		Height, lowered	h13 mm	85							
4.19		total length	l1 mm	1475				1555			
4.20		Length including fork shank	l2 mm	340		-					
4.21.1		total width	b1 mm	520							
4.22		Fork dimensions	s/ e/l mm	51 x 160 x 1140				51 x 160 x 1220			
4.25		Width across forks	b5 mm	520							
4.32		Ground clearance centre of wheelbase	m2 mm	38							
4.34.1		Aisle width (pallet 1000×1200 sideways)	Ast mm	1610							
4.34.2	Aisle width (pallet 800×1200 length)	Ast mm	1810				1830				
4.35	Turning radius	Wa mm	1330				1410				
Performance data	5.3	Lowering speed laden/unladen	m/s	0.1 / 0.05							

- This data sheet according to VDI guideline 2198 only states the technical values of the standard truck. Different tyres, other masts, additional equipment etc. may result in different values.

Characteristic	1.1	Manufacturer (abbreviated description)		Other (OEM)							
	1.3	Drive		Manual							
	1.4	Operation		Manual							
	1.5	Load capacity/load	Q kg	2000							
	1.6	Load centre distance	c mm	405				485			
	1.9	Wheelbase	y mm	835				995			
Weights	2.1	tare weight	kg	65		69			72		
	2.1.1	Service weight (incl. battery)	kg	65		69			72		
Wheels/suspension system	3.1	Tyres		N-GN	V-GV	V-BV	N-BN	N-GN	V-GV	N-BN	V-BV
	3.2	Tyre size, front		Ø 200x50							
	3.3	Tyre size, rear		Ø 80x90		Ø 80x70	Ø 80x65	Ø 80x90		Ø 80x65	Ø 80x70
	3.5	Wheels, number front/back (x=driven)		2/2							
	3.6	Tread width, front	b10 mm	120							
	3.7	Tread width, rear	b11 mm	520							
	Basic dimensions	4.4	Lift (h3)	h3 mm	120						
4.9		Height of tiller handle in drive position min./max.	h14 mm	1170							
4.14		Stand height, elevated	h12 mm	200							
4.15		Height, lowered	h13 mm	85							
4.19		total length	l1 mm	1145				1305			
4.21.1		total width	b1 mm	680							
4.22		Fork dimensions	s/ e/l mm	51 x 160 x 810				51 x 160 x 970			
4.25		Width across forks	b5 mm	680							
4.32		Ground clearance centre of wheelbase	m2 mm	38							
4.34.1		Aisle width (pallet 1000×1200 sideways)	Ast mm	1610							
4.34.2		Aisle width (pallet 800x1200 length)	Ast mm	1810							
Performance data	4.35	Turning radius	Wa mm	1000				1160			
	5.3	Lowering speed laden/unladen	m/s	0.1 / 0.05							
<p>- This data sheet according to VDI guideline 2198 only states the technical values of the standard truck. Different tyres, other masts, additional equipment etc. may result in different values.</p>											

Characteristic	1.1	Manufacturer (abbreviated description)		Other (OEM)							
	1.3	Drive		Manual							
	1.4	Operation		Manual							
	1.5	Load capacity/load	Q kg	2000							
	1.6	Load centre distance	c mm	570				610			
	1.9	Wheelbase	y mm	1165				1245			
Weights	2.1	tare weight	kg	75		78			81		
	2.1.1	Service weight (incl. battery)	kg	75		78			81		
Wheels/suspension system	3.1	Tyres		N-GN	V-GV	N-BN	V-BV	N-GN	V-GV	V-BV	N-BN
	3.2	Tyre size, front		Ø 200x50							
	3.3	Tyre size, rear		Ø 80x90		Ø 80x65	Ø 80x70	Ø 80x90			Ø 80x65
	3.5	Wheels, number front/back (x=driven)		2/2							
	3.6	Tread width, front	b10 mm	120							
	3.7	Tread width, rear	b11 mm	520							
	Basic dimensions	4.4	Lift (h3)	h3 mm	120						
4.9		Height of tiller handle in drive position min./max.	h14 mm	1170							
4.14		Stand height, elevated	h12 mm	200							
4.15		Height, lowered	h13 mm	85							
4.19		total length	l1 mm	1475				1555			
4.21.1		total width	b1 mm	680							
4.22		Fork dimensions	s/ e/l mm	51 x 160 x 1140				51 x 160 x 1220			
4.25		Width across forks	b5 mm	680							
4.32		Ground clearance centre of wheelbase	m2 mm	38							
4.34.1		Aisle width (pallet 1000×1200 sideways)	Ast mm	1610							
4.34.2		Aisle width (pallet 800x1200 length)	Ast mm	1810				1830			
4.35	Turning radius	Wa mm	1330				1410				
Performance data	5.3	Lowering speed laden/unladen	m/s	0.1 / 0.05							
<p>- This data sheet according to VDI guideline 2198 only states the technical values of the standard truck. Different tyres, other masts, additional equipment etc. may result in different values.</p>											

The German production facilities in
Norderstedt, Moosburg and Landsberg are
certified as well as our Genuine Parts
Center in Kaltenkirchen.

ISO 9001
ISO 14001

Jungheinrich fork lift trucks meet European
safety requirements.



 **JUNGHEINRICH**

The Jungheinrich logo, featuring a red upward-pointing arrow above the word 'JUNGHEINRICH' in a bold, black, sans-serif font.