



## Electric pedestrian pallet truck

### ERE 120i/125i

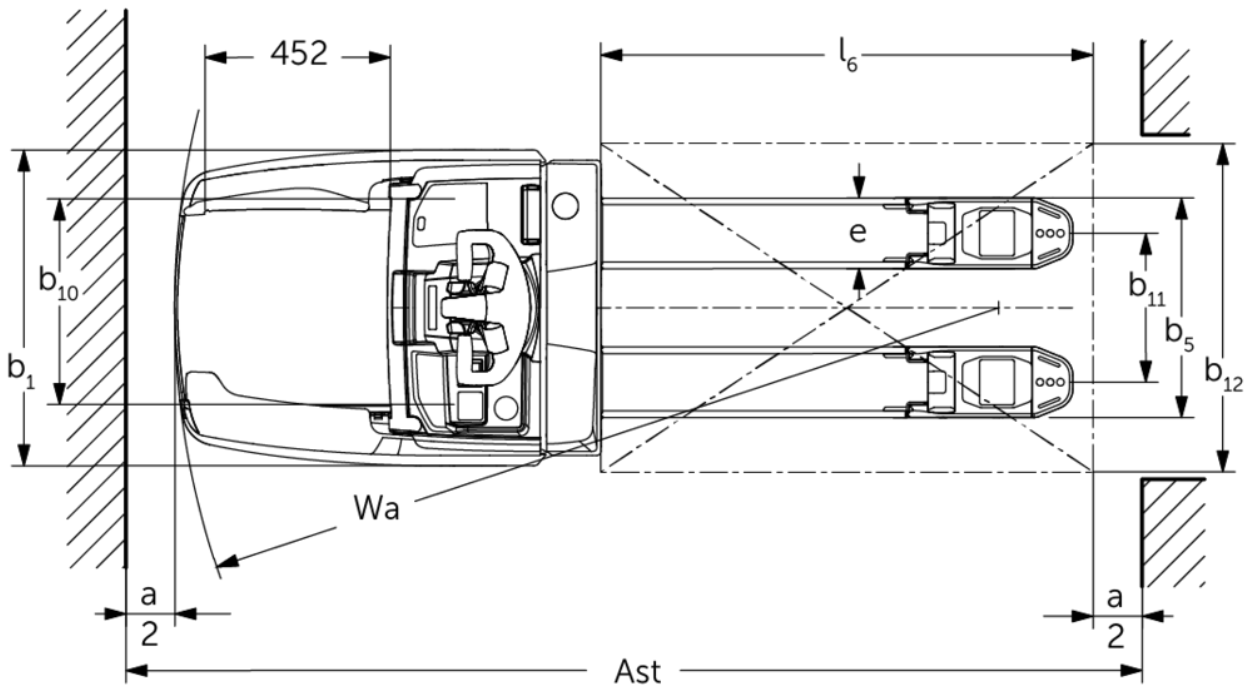
Lift height: 122 mm / Load capacity: 2000-2500 kg



# ERE 120i/125i







## VDI table

Characteristic	1.1	Manufacturer (abbreviated description)		Jungheinrich		
	1.3	Drive		Electric		
	1.4	Operation		Tiller		
	1.5	Load capacity/load	Q kg	2000	2500	
	1.6	Load centre distance	c mm	600		
	1.8	Load distance, centre of drive axle to fork	x mm	897		
	1.9	Wheelbase	y mm	1237		
Weights	2.1.1	Service weight (incl. battery)	kg	513	543	560
	2.2	Axle load laden front/rear	kg	1627 / 874	1621 / 929	1909 / 1155
	2.3	Axle load unladen front/rear	kg	112 / 401	132 / 411	137 / 423
Wheels/suspension system	3.1	Tyres		Polyurethane (PU)		
	3.2	Tyre size, front		Ø 230 x 65	Ø 230 x 77	
	3.3	Tyre size, rear		Ø 85 x 110 / Ø 85 x 85		
	3.4	Additional wheels		Ø 140 x 57		
	3.5	Wheels, number front/back (x=driven)		1x +2/2 oder 4		
	3.6	Tread width, front	b10 mm	363		
	3.7	Tread width, rear	b11 mm	512		
Basic dimensions	4.4	Lift (h3)	h3 mm	122		
	4.9	Height of tiller handle in drive position min./max.	h14 mm	1137 / 1419		
	4.15	Height, lowered	h13 mm	85		
	4.19	total length	l1 mm	1716		
	4.20	Length including fork shank	l2 mm	566		
	4.21.1	total width	b1 mm	770		
	4.22	Fork dimensions	s/e/l mm	55 x 172 x 1150		
	4.25	Width across forks	b5 mm	535		
	4.32	Ground clearance centre of wheelbase	m2 mm	30		
	4.34.1	Aisle width (pallet 1000x1200 sideways)	Ast mm	2298		
4.34.2	Aisle width (pallet 800x1200 length)	Ast mm	2191			
4.35	Turning radius	Wa mm	1489			
Performance data	5.1	Travel speed laden/unladen	km/h	6 / 6	8 / 9	9 / 9
	5.2	Lift speed laden/unladen	m/s	0.04 / 0.05		0.06 / 0.08
	5.3	Lowering speed laden/unladen	m/s	0.06 / 0.05		0.07 / 0.05
	5.8	Max. gradeability laden/unladen	%	8 / 16		
	5.10	Service brake		generative		
E-motor/Electronics	6.1	Drive motor, performance S2 60 min	kW	2		2.8
	6.2	Lift motor, performance with S3	kW	1.2		2.2
	6.4	Battery voltage/nominal capacity	V / Ah	25.6 / 100		
	6.5	Battery weight	kg	35		
	6.6.1	Energy consumption according to EN cycle	kWh/h	0.41		0.36
	6.6.2	CO2 equivalent according to EN ISO 23308	kg/h0	0.2		
	6.7	Throughput	t/h	108	136	195

Other	8.1	Type of drive control		AC	
	10.7	Sound pressure level according to EN12053	dB (A)	61	65
- This data sheet according to VDI guideline 2198 only states the technical values of the standard truck. Different tyres, other masts, additional equipment etc. may result in different values.					

The values in the table apply to the folding stand-on platform (folded up), XS battery compartment, fork length 1,150 mm, raised support arm lift.

- VDI no. 1.8: lowered load section:  $x + 67$  mm.
- VDI no. 1.9: lowered load section:  $y + 67$  mm. With S battery compartment:  $y + 50$  mm.
- VDI no. 4.19: with S battery compartment:  $l1 + 50$  mm; with folding platform folded down:  $l1 + 416$  mm; compact, fixed platform:  $l1 + 358$  mm; extended, fixed platform:  $l1 + 472$  mm.
- VDI no. 4.20: with S battery compartment:  $l2 + 50$  mm; with folding platform folded down:  $l2 + 416$  mm; compact, fixed platform:  $l2 + 358$  mm; extended, fixed platform:  $l2 + 472$  mm.
- VDI no. 4.34.1: lowered load section: aisle width + 60 mm; with folding platform folded down: aisle width + 416 mm; compact, fixed platform: aisle width + 365 mm; extended, fixed platform: aisle width + 479 mm.
- VDI no. 4.34.2: lowered load section: aisle width + 30 mm; with folding platform folded down: aisle width + 416 mm; compact, fixed platform: aisle width + 365 mm; extended, fixed platform: aisle width + 479 mm.
- VDI no. 4.35: lowered load section:  $Wa + 67$  mm.  
with S battery compartment:  $Wa + 50$  mm; with folding platform folded down:  $Wa + 416$  mm; compact, fixed platform:  $Wa + 365$  mm; extended, fixed platform:  $Wa + 479$  mm.
- VDI no. 6.2: lift motor, performance with  $S3 = 5\%$ .
- VDI no. 6.6: energy consumption according to EN 16796 with mechanical steering; with electric steering = 0.43 kWh/h.
- VDI no. 6.7: throughput according to VDI 2198 with mechanical steering; with electric steering = 144 t/h.

The German production facilities in  
Norderstedt, Moosburg and Landsberg are  
certified as well as our Genuine Parts  
Center in Kaltenkirchen.

ISO 9001  
ISO 14001

Jungheinrich fork lift trucks meet European  
safety requirements.



 **JUNGHEINRICH**

The Jungheinrich logo, featuring a red upward-pointing arrow above the word 'JUNGHEINRICH' in a bold, black, sans-serif font.