



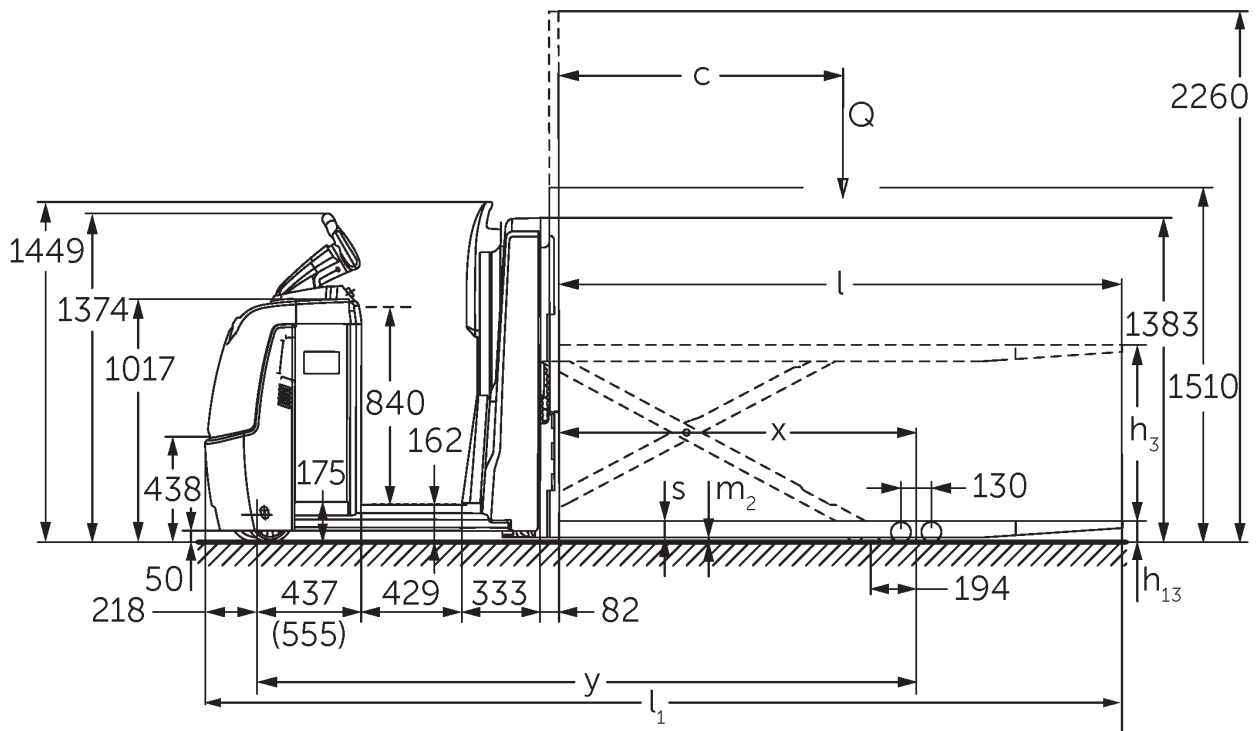
Low level order pickers

ECE 320

Lift height: 750 mm / Load capacity: 2000 kg

ECE 320





VDI table

| | | | | | |
|--------------------------|----------------|--|----------|-----------------------|-------------|
| Characteristic | 1.1 | Manufacturer (abbreviated description) | | Jungheinrich | |
| | 1.3 | Drive | | Electric | |
| | 1.4 | Operation | | Order pickers | |
| | 1.5 | Load capacity/load | Q kg | 2000 | |
| | 1.6 | Load centre distance | c mm | 1200 | |
| | 1.8 | Load distance, centre of drive axle to fork | x mm | 1522 | |
| | 1.9 | Wheelbase | y mm | 2652 | 2803 |
| Weights | 2.1.1 | Service weight (incl. battery) | kg | 1300 | 1490 |
| | 2.2 | Axle load laden front/rear | kg | 1120 / 2180 | 1240 / 2250 |
| | 2.3 | Axle load unladen front/rear | kg | 900 / 400 | 1020 / 470 |
| Wheels/suspension system | 3.1 | Tyres | | Polyurethane (PU) | |
| | 3.2 | Tyre size, front | | Ø 230 x 78 | |
| | 3.3 | Tyre size, rear | | Ø 85 x 85 | |
| | 3.4 | Additional wheels | | Ø 180 x 65 | |
| | 3.5 | Wheels, number front/back (x=driven) | | 1+1x/4 | |
| | 3.6 | Tread width, front | b10 mm | 481 | |
| | 3.7 | Tread width, rear | b11 mm | 345 | |
| | 3.7.1 | 2. Tread width, rear | mm | 375 | |
| Basic dimensions | 4.4 | Lift (h3) | h3 mm | 750 | |
| | 4.9 | Height of tiller handle in drive position min./max. | h14 mm | 1374 / 1418 | |
| | 4.14 | Stand height, elevated | h12 mm | - | 1002 |
| | 4.15 | Height, lowered | h13 mm | 90 | |
| | 4.19 | total length | l1 mm | 3747 | 3897 |
| | 4.20 | Length including fork shank | l2 mm | 1347 | 1497 |
| | 4.21.1 | total width | b1 mm | 810 | |
| | 4.22 | Fork dimensions | s/e/l mm | 70 x 195 x 2400 | |
| | 4.25 | Width across forks | b5 mm | 540 | |
| | 4.32 | Ground clearance centre of wheelbase | m2 mm | 20 | |
| | 4.34.2 | Aisle width (pallet 800x1200 length) | Ast mm | 3947 | 4097 |
| 4.35 | Turning radius | Wa mm | 2869 | 3019 | |
| Performance data | 5.1 | Travel speed laden/unladen (Efficiency drivePLUS) | km/h | 9.5 / 12.5 9.5 / 14 | |
| | 5.2 | Lift speed laden/unladen | m/s | 0.09 / 0.16 | |
| | 5.3 | Lowering speed laden/unladen | m/s | 0.11 / 0.11 | |
| | 5.8 | Max. gradeability laden/unladen (Efficiency drivePLUS) | % | 6 / 15 6 / 15 | |
| | 5.10 | Service brake | | generative | |
| E-motor/Electronics | 6.1 | Drive motor, performance S2 60 min (Efficiency drivePLUS) | kW | 2.8 3.2 | |
| | 6.2 | Lift motor, performance with S3 | kW | 1.5 | |
| | 6.4 | Battery voltage/nominal capacity | V / Ah | 24 / 465 | |
| | 6.5 | Battery weight | kg | 370 | |
| | 6.6.1 | Energy consumption according to EN cycle (Efficiency PLUS) | kWh/h | 0.6 0.63 | |
| | 6.6.2 | CO2 equivalent according to EN ISO 23308 (Efficiency PLUS) | kg/h0 | 0.32 0.3 | |
| | 6.7 | Throughput (Efficiency PLUS) | t/h | 102 104 | 100 102 |
| | 6.8.1 | Energy consumption with max. throughput (Efficiency PLUS) | kWh/h | 1.52 1.72 | 1.53 1.72 |

| | | | | |
|--|------|---|--------|----------|
| Other | 8.1 | Type of drive control | | AC |
| | 10.5 | Steering version | | electric |
| | 10.7 | Sound pressure level according to EN12053 | dB (A) | 62 |
| <p>- This data sheet according to VDI guideline 2198 only states the technical values of the standard truck. Different tyres, other masts, additional equipment etc. may result in different values.</p> | | | | |

Values for L battery compartment; standard stand-on platform and fork length 2,400 mm; lowered load section.

- VDI no. 1.8: with raised load section: x - 194 mm.
- VDI no. 1.9: with XL or XL (ERE) battery compartment: y + 118 mm; with extended stand-on platform: y + 50 mm; with lowered load section: y - 194 mm.
- VDI no. 4.14: ECE HP: h12 see diagram, dimension 840 mm + 162 mm = 1,002 mm.
- VDI no. 4.19: with XL or XL (ERE) battery compartment: l1 + 118 mm; with extended stand-on platform: l1 + 50 mm.
- VDI no. 4.20: with XL or XL (ERE) battery compartment: l2 + 118 mm; with extended stand-on platform: l2 + 50 mm.
- VDI no. 4.34.2: with XL or XL (ERE) battery compartment: aisle width + 118 mm; with extended stand-on platform: aisle width + 50 mm; diagonal as per VDI: aisle width + 94 mm.
- VDI no. 4.35: with XL or XL (ERE) battery compartment: Wa + 118 mm; with extended stand-on platform option: Wa + 50 mm; with raised load section: y - 194 mm.
- VDI no. 6.2: with S3 10%.
- VDI no. 6.4: with XL battery compartment: 24 V / 620 Ah.
- VDI no. 6.5: with XL battery compartment: 460 kg.