

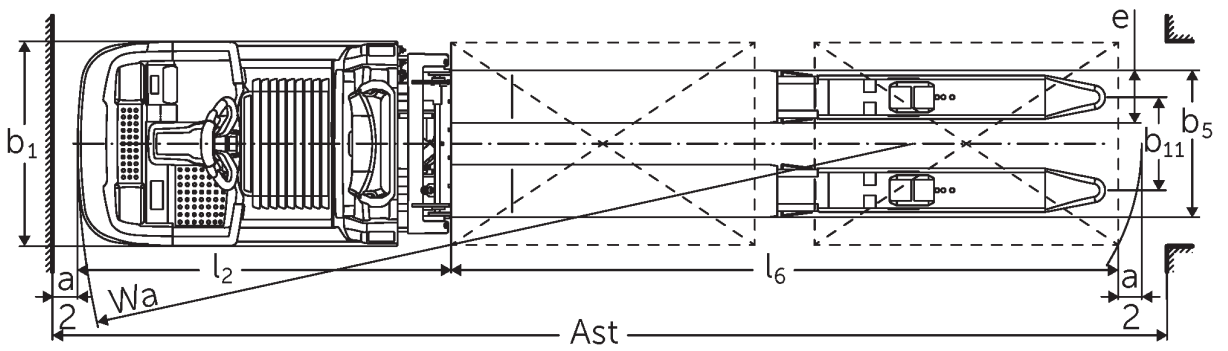
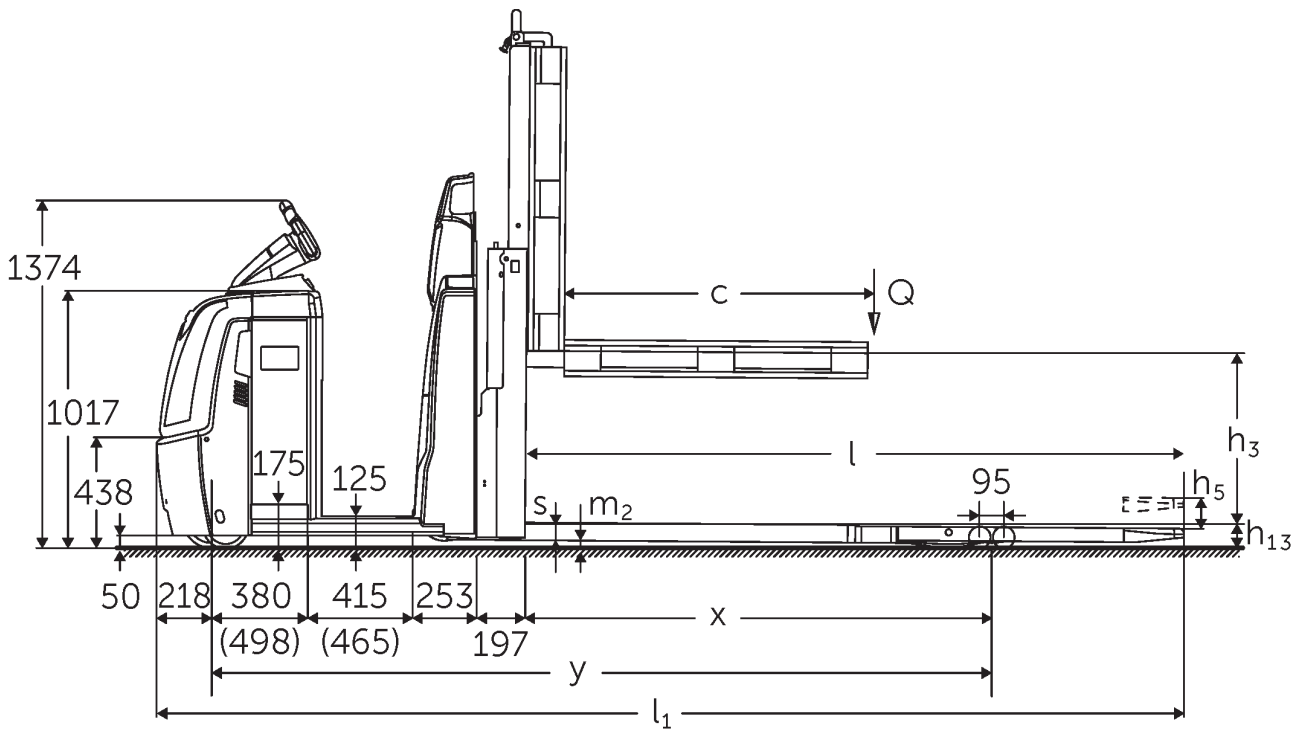


Low level order pickers with ergonomic lift **ECD 320**

Lift height: 700-1500 mm / Load capacity: 2000 kg



ECD 320



VDI table

| | | | | | |
|--------------------------|----------------|---|-------|--------|-----------------------|
| Characteristic | 1.1 | Manufacturer (abbreviated description) | | | Jungheinrich |
| | 1.3 | Drive | | | Electric |
| | 1.4 | Operation | | | Order pickers |
| | 1.5 | Load capacity/load | Q | kg | 2000 |
| | 1.6 | Load centre distance | c | mm | 1300 |
| | 1.8 | Load distance, centre of drive axle to fork | x | mm | 1718 |
| | 1.9 | Wheelbase | y | mm | 2981 |
| Weights | 2.1.1 | Service weight (incl. battery) | | kg | 1235 |
| | 2.2 | Axle load laden front/rear | | kg | 1155 / 2080 |
| | 2.3 | Axle load unladen front/rear | | kg | 920 / 315 |
| Wheels/suspension system | 3.1 | Tyres | | | Polyurethane (PU) |
| | 3.2 | Tyre size, front | | | Ø 230 x 78 |
| | 3.3 | Tyre size, rear | | | Ø 85 x 85 |
| | 3.4 | Additional wheels | | | Ø 180 x 65 |
| | 3.5 | Wheels, number front/back (x=driven) | | | 1+1x/4 |
| | 3.6 | Tread width, front | b10 | mm | 481 |
| | 3.7 | Tread width, rear | b11 | mm | 368 |
| Basic dimensions | 4.4 | Lift (h3) | h3 | mm | 700 |
| | 4.9 | Height of tiller handle in drive position min./max. | h14 | mm | 1374 / 1418 |
| | 4.15 | Height, lowered | h13 | mm | 90 |
| | 4.19 | total length | l1 | mm | 4081 |
| | 4.20 | Length including fork shank | l2 | mm | 1480 |
| | 4.21.1 | total width | b1 | mm | 810 |
| | 4.22 | Fork dimensions | s/e/l | mm | 65 x 172 x 2600 |
| | 4.25 | Width across forks | b5 | mm | 540 |
| | 4.32 | Ground clearance centre of wheelbase | m2 | mm | 25 |
| | 4.34.2 | Aisle width (pallet 800x1200 length) | Ast | mm | 4281 |
| 4.35 | Turning radius | Wa | mm | 3199 | |
| Performance data | 5.1 | Travel speed laden/unladen (Efficiency drivePLUS) | | km/h | 9.2 / 12.5 9.2 / 14 |
| | 5.2 | Lift speed laden/unladen | | m/s | 0.07 / 0.11 |
| | 5.3 | Lowering speed laden/unladen | | m/s | 0.07 / 0.06 |
| | 5.8 | Max. gradeability laden/unladen (Efficiency drivePLUS) | | % | 6 / 15 6 / 15 |
| | 5.10 | Service brake | | | generative |
| E-motor/Electronics | 6.1 | Drive motor, performance S2 60 min (Efficiency drivePLUS) | | kW | 2.8 3.2 |
| | 6.2 | Lift motor, performance with S3 | | kW | 1.5 |
| | 6.4 | Battery voltage/nominal capacity | | V / Ah | 24 / 465 |
| | 6.5 | Battery weight | | kg | 370 |
| | 6.6.1 | Energy consumption according to EN cycle | | kWh/h | 0.53 |
| | 6.6.2 | CO2 equivalent according to EN ISO 23308 | | kg/h0 | 0.3 |
| | 6.7 | Throughput | | t/h | 136 |
| | 6.8.1 | Energy consumption with max. throughput | | kWh/h | 1.36 |

| | | | | |
|---|------|---|--------|----------|
| Other | 8.1 | Type of drive control | | AC |
| | 10.5 | Steering version | | electric |
| | 10.7 | Sound pressure level according to EN12053 | dB (A) | 62 |
| - This data sheet according to VDI guideline 2198 only states the technical values of the standard truck. Different tyres, other masts, additional equipment etc. may result in different values. | | | | |

Values for L battery compartment; fork length 2,450 mm; lift 700 mm; raised load section.

- VDI no. 1.8: with lowered load section: $x + 82$ mm.
- VDI no. 1.9: with XL or XL (ERE) battery compartment: $y + 118$ mm; with extended stand-on platform: $y + 50$ mm; with lowered load section: $y + 82$ mm.
- VDI no. 4.19: with XL or XL (ERE) battery compartment: $l1 + 118$ mm; with extended stand-on platform: $l1 + 50$ mm.
- VDI no. 4.20: with XL or XL (ERE) battery compartment: $l2 + 118$ mm; with extended stand-on platform: $l2 + 50$ mm.
- VDI no. 4.34.2: with XL or XL (ERE) battery compartment: aisle width + 118 mm; with extended stand-on platform: aisle width + 50 mm; diagonal as per VDI: aisle width + 94 mm.
- VDI no. 4.35: with XL or XL (ERE) battery compartment: $Wa + 118$ mm; with extended stand-on platform: $Wa + 50$ mm; with lowered load section: $Wa + 82$ mm.
- VDI no. 6.2: with S3 10%.
- VDI no. 6.4: with XL battery compartment: 24 V / 620 Ah.
- VDI no. 6.5: with XL battery compartment: 460 kg.

The German production facilities in
Norderstedt, Moosburg and Landsberg are
certified as well as our Genuine Parts
Center in Kaltenkirchen.

ISO 9001
ISO 14001

Jungheinrich fork lift trucks meet European
safety requirements.



 **JUNGHEINRICH**

The Jungheinrich logo, featuring a red upward-pointing arrow above the word 'JUNGHEINRICH' in a bold, black, sans-serif font.