



## Medium/high level order picker

### EKS 210

Lift height: 2800-4750 mm / Load capacity: 1000 kg



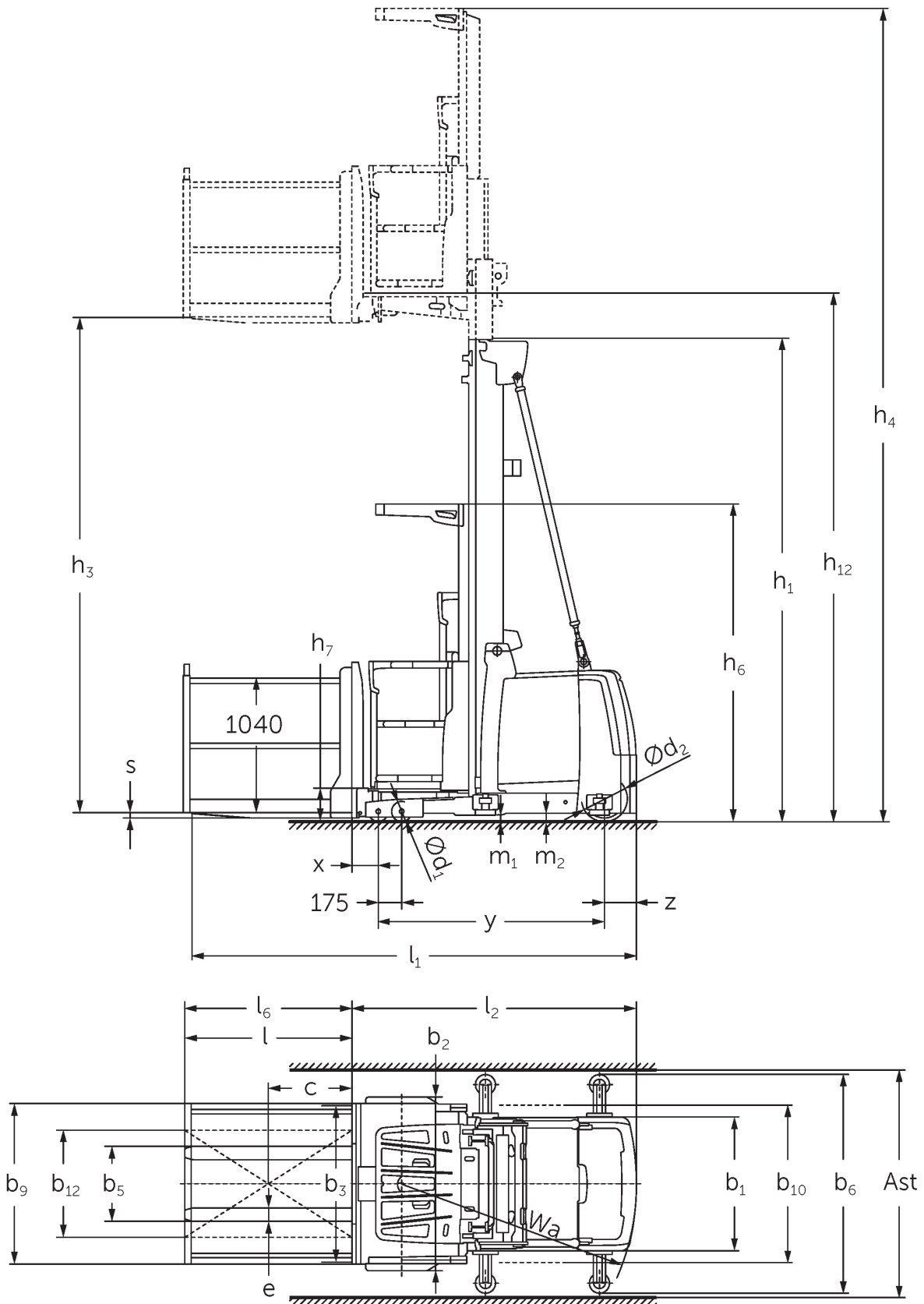
# EKS 210



EKS 3/4 Z version technical drawing



EKS 3/4 0 version technical drawing



EKS 3/4 L version technical drawing

# EKS 210

EKS 210 Z, EKS 210 L, EKS 210 O	Lift (h3)	Retracted mast height (h1)	Extended mast height (h4)
Duplex mast ZT	2800 mm	2325 mm	5170 mm
	3500 mm	2550 mm	5870 mm
	4250 mm	2950 mm	6620 mm
	4750 mm	3200 mm	7120 mm

## VDI table

Characteristic	1.1	Manufacturer (abbreviated description)		Jungheinrich		
	1.3	Drive		Electric		
	1.4	Operation		Order pickers		
	1.5	Load capacity/load	Q kg	1000		
	1.6	Load centre distance	c mm	600		
	1.8	Load distance, centre of drive axle to fork	x mm	155		
	1.9	Wheelbase	y mm	1425		
Weights	2.1.1	Service weight (incl. battery)	kg	2400		2350
	2.2	Axle load laden front/rear	kg	2650 / 750	2680 / 720	2605 / 705
	2.3	Axle load unladen front/rear	kg	1150 / 1250	1180 / 1220	1105 / 1245
Wheels/suspension system	3.1	Tyres		Polyurethane (PU)		
	3.2	Tyre size, front		Ø 150 x 100		
	3.3	Tyre size, rear		Ø 230 x 83		
	3.5	Wheels, number front/back (x=driven)		4 / 1 x		
	Basic dimensions	4.2	Retracted mast height (h1)	h1 mm	2325	
4.4		Lift (h3)	h3 mm	2800		
4.5		Extended mast height (h4)	h4 mm	5125		
4.7		Height of overhead guard (cab)	h6 mm	2325		
4.8.1		Stand height	h7 mm	200		
4.14		Stand height, elevated	h12 mm	3000		
4.15		Height, lowered	h13 mm	60		
4.19		total length	l1 mm	2995	3040	2985
4.20		Length including fork shank	l2 mm	1795	1785	
4.21.1		total width	b1 mm	900		
4.22		Fork dimensions	s/ e/l mm	40 x 100 x 1200	50 x 100 x 1250	50 x 100 x 1200
4.25		Width across forks	b5 mm	560		
4.31		Ground clearance laden under mast	m1 mm	50		
4.35	Turning radius	Wa mm	1565			
Performance data	5.1	Travel speed laden/unladen	km/h	10 / 10		
	5.2	Lift speed laden/unladen	m/s	0.25 / 0.25		
	5.3	Lowering speed laden/unladen	m/s	0.3 / 0.25		
	5.10	Service brake		regenerative		
	5.11	Parking brake		Electric sprung-loaded		

E-motor/Electronics	6.1	Drive motor, performance S2 60 min	kW	3.2
	6.2	Lift motor, performance with S3	kW	8
	6.3	Battery according to DIN 43531/35/36		5 PzS 775
	6.4	Battery voltage/nominal capacity	V / Ah	24 / 775
	6.5	Battery weight	kg	600
Other	8.1	Type of drive control		AC drive control system
	10.5	Steering version		electric
	10.7	Sound pressure level according to EN12053	dB (A)	60
<p>- This data sheet according to VDI guideline 2198 only states the technical values of the standard truck. Different tyres, other masts, additional equipment etc. may result in different values.</p>				

#### 5.1. With drivePLUS performance module

The German production facilities in  
Norderstedt, Moosburg and Landsberg are  
certified as well as our Genuine Parts  
Center in Kaltenkirchen.

ISO 9001  
ISO 14001

Jungheinrich fork lift trucks meet European  
safety requirements.



 **JUNGHEINRICH**

The logo features a red upward-pointing arrow integrated into the letter 'J' of the word 'JUNGHEINRICH', which is written in a bold, black, sans-serif font.