

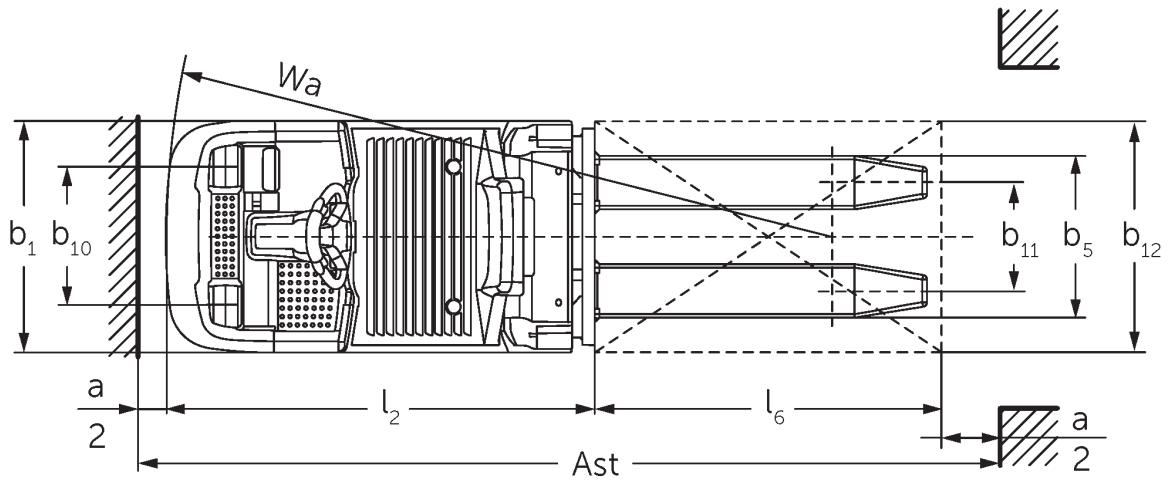
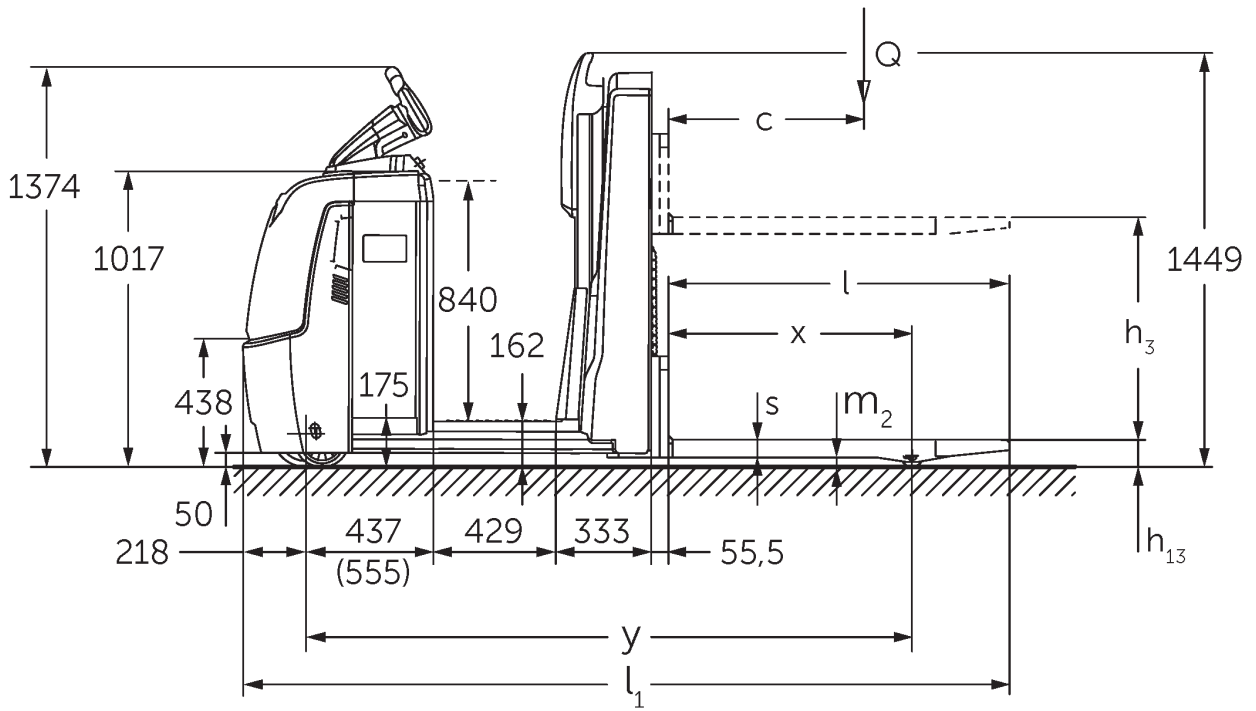


## Low level order pickers

### ECE 310

Lift height: 750 mm / Load capacity: 1000 kg





## VDI table

				Jungheinrich		
				ECE 310	ECE 310 HP	
Characteristic	1.1	Manufacturer (abbreviated description)				
	1.2	Manufacturer's type designation				
	1.3	Drive type		electric		
	1.4	Operation		Order pickers		
	1.5	Load capacity/load	Q	kg	1000	
	1.6	Load centre distance	c	mm	600	
	1.8	Load distance, centre of drive axle to fork	x	mm	821	
	1.9	Wheelbase	y	mm	1925	2075
	Weights	2.1.1	Service weight (incl. battery)		kg	1084
2.2		Axle load laden front/rear		kg	839 / 1245	869 / 1405
2.3		Axle load unladen front/rear		kg	772 / 311	862 / 411
Wheels/chassis	3.1	Tyres		Polyurethane (PU)		
	3.2	Tyre size, front		Ø 230 x 78		
	3.3	Tyre size, rear		Ø 75 x 95		
	3.4	Additional wheels		Ø 180 x 65		
	3.5	Wheels, number front/back (x=driven)		1+1x/2		
	3.6	Tread width, front	b10	mm	481	
	3.7	Tread width, rear	b11	mm	339	
3.7.1	2. Tread width, rear		mm	379		
Basic dimensions	4.4	Lift (h3)		h3	mm	750
	4.9	Height of tiller handle in drive position min./max.		h14	mm	1374 / 1418
	4.14	Stand height, elevated		h12	mm	-   1002
	4.15	Height, lowered		h13	mm	90
	4.19	Total length		l1	mm	2471   2621
	4.20	Length including fork shank		l2	mm	1321   1471
	4.21.1	total width		b1	mm	810
	4.22	Fork dimensions		s/e/l	mm	56 x 185 x 1150
	4.25	Width across forks		b5	mm	560
	4.32	Ground clearance centre of wheelbase		m2	mm	30
4.34.2	Aisle width (pallet 800x1200 length)		Ast	mm	2721   2871	
4.35	Turning radius		Wa	mm	2142   2292	
Performance data	5.1	Travel speed laden/unladen (Efficiency   drivePLUS)		km/h	11.5 / 12.5   11.5 / 14	11 / 12.5   11 / 14
	5.2	Lift speed laden/unladen		m/s	0.17 / 0.33	
	5.3	Lowering speed laden/unladen		m/s	0.19 / 0.19	
	5.8	Max. gradeability laden/unladen (Efficiency   drivePLUS)		%	6 / 15   6 / 15	
	5.10	Service brake		generative		
Electric motor/electronics	6.1	Drive motor, performance S2 60 min (Efficiency   drivePLUS)		kW	2.8   3.2	
	6.2	Lift motor, performance with S3		kW	1.5	
	6.4	Battery voltage/nominal capacity		V / Ah	24 / 465	
	6.5	Battery weight		kg	370	
	6.6.1	Energy consumption according to EN cycle (Efficiency   PLUS)		kWh/h	0.4   0.47	
	6.6.2	CO2 equivalent according to EN ISO 23308 (Efficiency   PLUS)		kg/h0	0.2   0.3	
	6.7	Throughput (Efficiency   PLUS)		t/h	65   68	64   67
	6.8.1	Energy consumption with max. throughput (Efficiency   PLUS)		kWh/h	1.27   1.47	1.28   1.47

Other	8.1	Type of drive control		AC
	10.5	Steering version		electric
	10.7	Sound pressure level according to EN12053	dB (A)	62
<p>- This data sheet according to VDI guideline 2198 only states the technical values of the standard truck. Different tyres, other masts, additional equipment etc. may result in different values.</p>				

Values for L battery compartment; fork length 1,150 mm.

- VDI no. 1.9: with XL or XL (ERE) battery compartment:  $y + 118$  mm; with extended stand-on platform:  $y + 50$  mm.
- VDI no. 4.14: ECE HP: h12 see diagram, dimension  $840$  mm +  $162$  mm =  $1,002$  mm.
- VDI no. 4.19: with XL or XL (ERE) battery compartment:  $l1 + 118$  mm; with extended stand-on platform:  $l1 + 50$  mm.
- VDI no. 4.20: with XL or XL (ERE) battery compartment:  $l2 + 118$  mm; with extended stand-on platform:  $l2 + 50$  mm.
- VDI no. 4.34.2: with XL or XL (ERE) battery compartment: aisle width +  $118$  mm; with extended stand-on platform: aisle width +  $50$  mm; diagonal as per VDI: aisle width +  $94$  mm.
- VDI no. 4.35: with XL or XL (ERE) battery compartment:  $Wa + 118$  mm; with extended stand-on platform:  $Wa + 50$  mm.
- VDI no. 6.2: with S3 10%.
- VDI no. 6.4: with XL battery compartment:  $24$  V /  $620$  Ah.
- VDI no. 6.5: with XL battery compartment:  $460$  kg.