

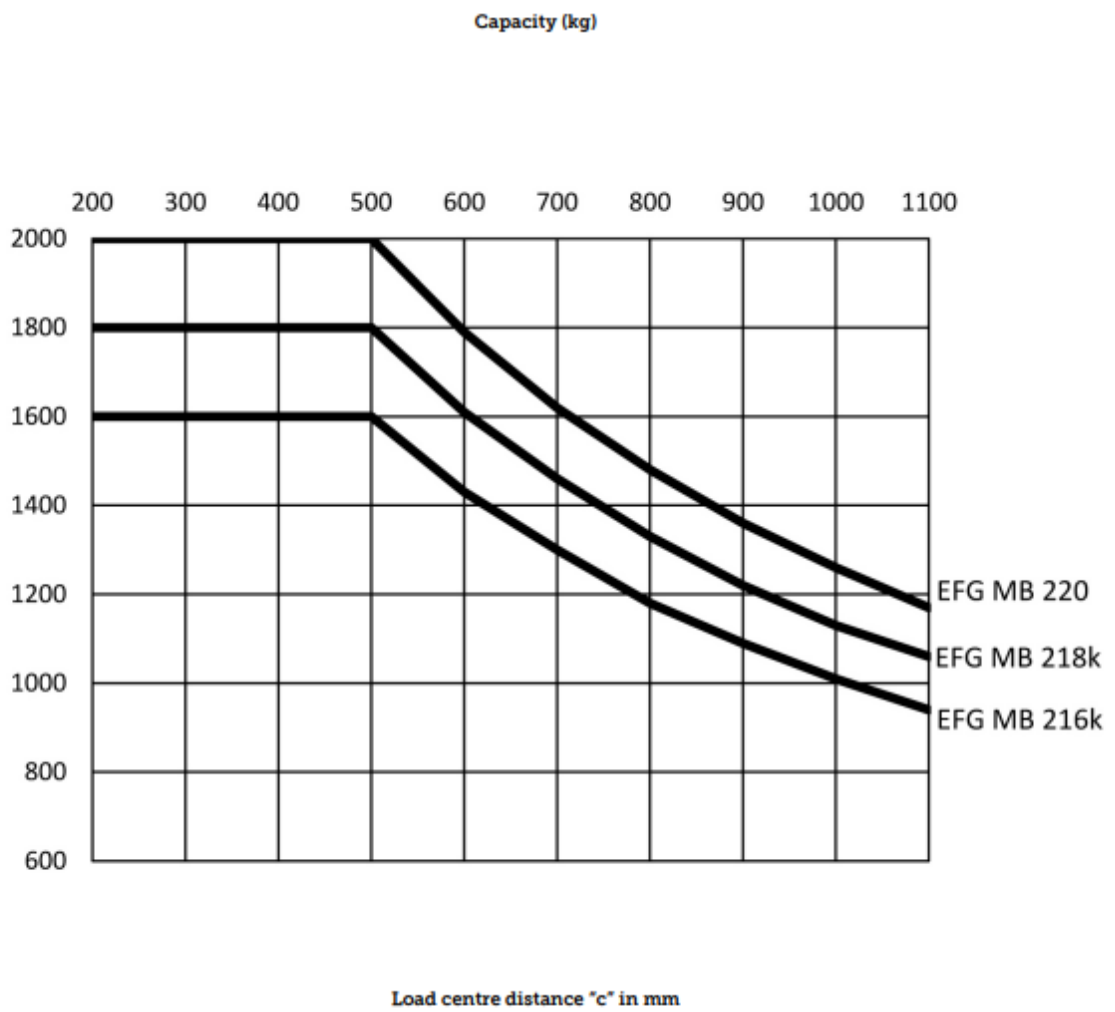


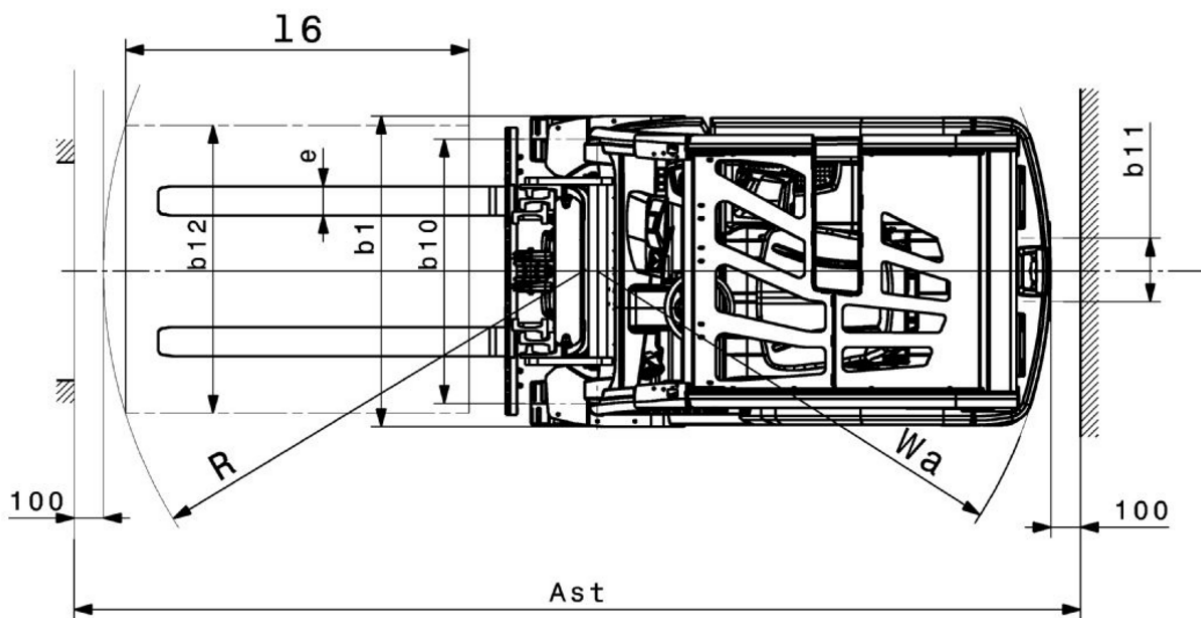
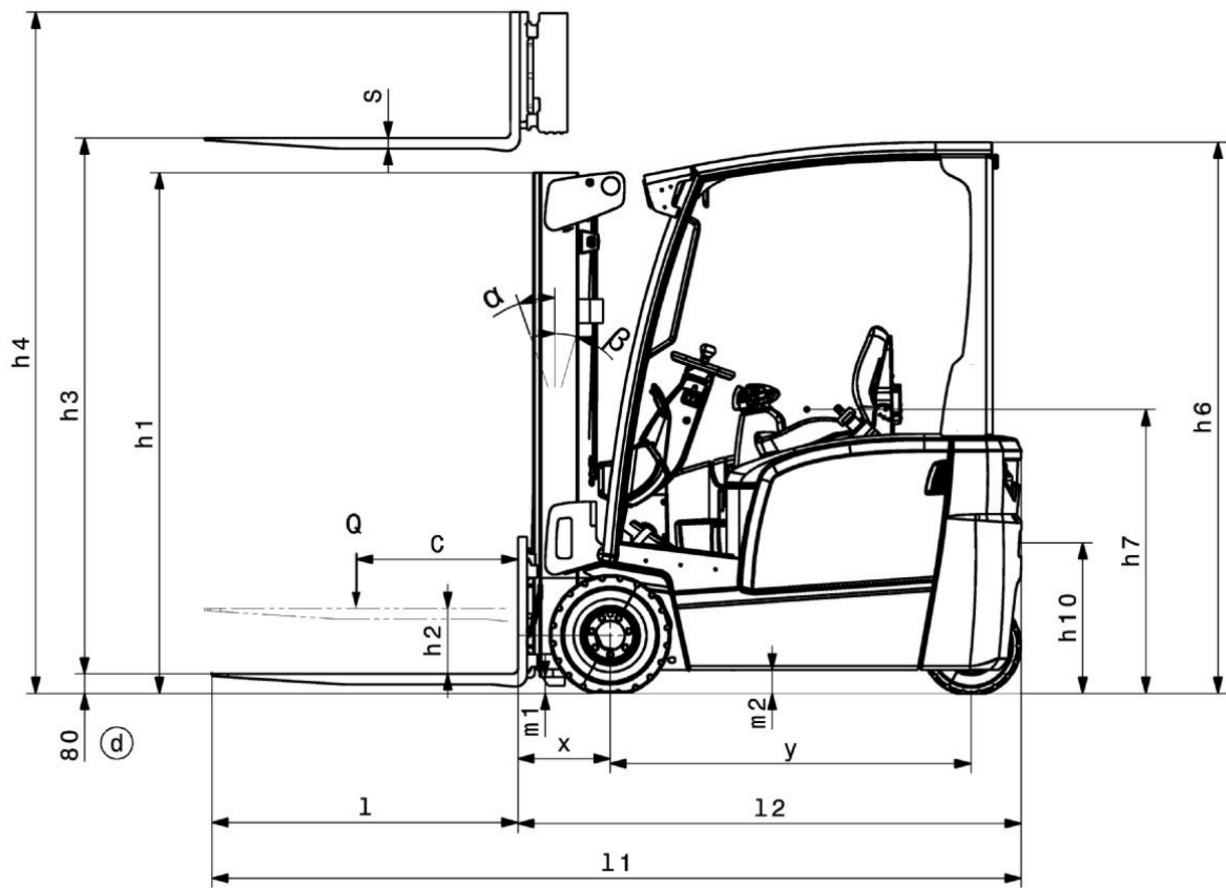
## Electric 3-wheel forklift truck

**EFG MB 216–220**

Lift height: 3000-6500 mm / Load capacity: 1600-2000 kg

# EFG MB 216–220





# EFG MB 216–220

| EFG MB 216k                              | Lift (h3) | Retracted mast height (h1) | Free lift (h2) | Extended mast height (h4) | Forward/backward tilt of mast |
|--|-----------|----------------------------|----------------|---------------------------|-------------------------------|
| Mast tilt / Duplex mast ZT / hot-rolled  | 3000 mm   | 2000 mm                    | 150 mm         | 3555 mm                   | 7 / 5 °                       |
|  | 3300 mm   | 2150 mm                    | 150 mm         | 3855 mm                   | 7 / 5 °                       |
|  | 3600 mm   | 2300 mm                    | 150 mm         | 4155 mm                   | 7 / 5 °                       |
|  | 4000 mm   | 2500 mm                    | 150 mm         | 4555 mm                   | 7 / 5 °                       |
|  | 4500 mm   | 2800 mm                    | 150 mm         | 5055 mm                   | 7 / 5 °                       |
|  | 5000 mm   | 3050 mm                    | 150 mm         | 5555 mm                   | 7 / 5 °                       |
| Mast tilt / Duplex mast ZZ / hot-rolled  | 3300 mm   | 2105 mm                    | 1470 mm        | 3855 mm                   | 7 / 5 °                       |
|  | 3600 mm   | 2255 mm                    | 1620 mm        | 4155 mm                   | 7 / 5 °                       |
|  | 4000 mm   | 2455 mm                    | 1820 mm        | 4555 mm                   | 7 / 5 °                       |
| Mast tilt / Triplex mast DZ / hot-rolled | 4500 mm   | 2005 mm                    | 1360 mm        | 5055 mm                   | 7 / 5 °                       |
|  | 4800 mm   | 2105 mm                    | 1460 mm        | 5355 mm                   | 7 / 5 °                       |
|  | 5000 mm   | 2180 mm                    | 1530 mm        | 5555 mm                   | 7 / 5 °                       |
|  | 5500 mm   | 2355 mm                    | 1710 mm        | 6055 mm                   | 7 / 5 °                       |
|  | 6000 mm   | 2555 mm                    | 1910 mm        | 6555 mm                   | 7 / 5 °                       |
|  | 6500 mm   | 2805 mm                    | 2160 mm        | 7055 mm                   | 7 / 5 °                       |
| EFG MB 218k, EFG MB 220                  | Lift (h3) | Retracted mast height (h1) | Free lift (h2) | Extended mast height (h4) | Forward/backward tilt of mast |
| Mast tilt / Duplex mast ZT / hot-rolled  | 3000 mm   | 2000 mm                    | 150 mm         | 3605 mm                   | 7 / 5 °                       |
|  | 3300 mm   | 2150 mm                    | 150 mm         | 3905 mm                   | 7 / 5 °                       |
|  | 3600 mm   | 2300 mm                    | 150 mm         | 4205 mm                   | 7 / 5 °                       |
|  | 4000 mm   | 2500 mm                    | 150 mm         | 4605 mm                   | 7 / 5 °                       |
|  | 4500 mm   | 2800 mm                    | 150 mm         | 5105 mm                   | 7 / 5 °                       |
|  | 5000 mm   | 3050 mm                    | 150 mm         | 5605 mm                   | 7 / 5 °                       |
| Mast tilt / Duplex mast ZZ / hot-rolled  | 3300 mm   | 2105 mm                    | 1470 mm        | 3935 mm                   | 7 / 5 °                       |
|  | 3600 mm   | 2255 mm                    | 1620 mm        | 4235 mm                   | 7 / 5 °                       |
|  | 4000 mm   | 2455 mm                    | 1820 mm        | 4635 mm                   | 7 / 5 °                       |
| Mast tilt / Triplex mast DZ / hot-rolled | 4500 mm   | 2005 mm                    | 1360 mm        | 5135 mm                   | 7 / 5 °                       |

|  |         |         |         |         |         |
|--|---------|---------|---------|---------|---------|
|  | 4800 mm | 2105 mm | 1460 mm | 5435 mm | 7 / 5 ° |
|  | 5000 mm | 2180 mm | 1530 mm | 5635 mm | 7 / 5 ° |
|  | 5500 mm | 2355 mm | 1710 mm | 6135 mm | 7 / 5 ° |
|  | 6000 mm | 2555 mm | 1910 mm | 6635 mm | 7 / 5 ° |
|  | 6500 mm | 2805 mm | 2160 mm | 7135 mm | 7 / 5 ° |

## VDI table

|                |                               | Jungheinrich                                |                                |                 |             |             |
|----------------|-------------------------------|---|--------------------------------|-----------------|-------------|-------------|
|                |                               | EFG MB 216K                                 | EFG MB 218K                    | EFG MB 220      |             |             |
| Characteristic | 1.1                           | Manufacturer (abbreviated description)      |                                |                 |             |             |
|                | 1.2                           | Manufacturer's type designation             |                                |                 |             |             |
|                | 1.3                           | Drive type                                  | electric                       |                 |             |             |
|                | 1.4                           | Operation                                   | Seat                           |                 |             |             |
|                | 1.5                           | Load capacity/load                          | Q kg                           | 1600            | 1800        | 2000        |
|                | 1.6                           | Load centre distance                        | c mm                           | 500             |             |             |
|                | 1.8                           | Load distance, centre of drive axle to fork | x mm                           | 352             |             |             |
|                | 1.9                           | Wheelbase                                   | y mm                           | 1357            |             | 1465        |
|                | Weights                       | 2.1.1                                       | Service weight (incl. battery) | kg              | 3310        | 3327        |
| 2.2            |                               | Axle load laden front/rear                  | kg                             | 4210 / 700      | 4490 / 637  | 4894 / 743  |
| 2.3            |                               | Axle load unladen front/rear                | kg                             | 1616 / 1694     | 1564 / 1763 | 1728 / 1909 |
| Wheels/chassis | 3.1                           | Tyres                                       | Super-elastic (SE)             |                 |             |             |
|                | 3.2                           | Tyre size, front                            | 18x7-8                         | 200/50-10       |             |             |
|                | 3.3                           | Tyre size, rear                             | 140/55-9                       |                 |             |             |
|                | 3.5                           | Wheels, number front/back (x=driven)        | 2x/2                           |                 |             |             |
|                | 3.6                           | Tread width, front                          | b10 mm                         | 904             | 924         |             |
|                | 3.7                           | Tread width, rear                           | b11 mm                         | 211             |             |             |
|                | Basic dimensions              | 4.1   | Forward/backward tilt of mast  | a/β °           | 7 / 5       |             |
| 4.2            |                               | Retracted mast height (h1)                  | h1 mm                          | 2000            |             |             |
| 4.2.1          |                               | Total height                                | h15 mm                         | 2080            |             |             |
| 4.3            |                               | Free lift (h2)                              | h2 mm                          | 150             |             |             |
| 4.4            |                               | Lift (h3)                                   | h3 mm                          | 3000            |             |             |
| 4.5            |                               | Extended mast height (h4)                   | h4 mm                          | 3555            | 3605        |             |
| 4.7            |                               | Height of overhead guard (cab)              | h6 mm                          | 2080            |             |             |
| 4.8            |                               | Seat height/stand height                    | h7 mm                          | 1030            |             |             |
| 4.12           |                               | Coupling height                             | h10 mm                         | 560             |             |             |
| 4.12.1         |                               | 2. Coupling height                          | mm                             | 0               |             |             |
| 4.19           |                               | Total length                                | l1 mm                          | 2899            | 3007        |             |
| 4.20           |                               | Length including fork shank                 | l2 mm                          | 1899            | 2007        |             |
| 4.21.1         |                               | total width                                 | b1 mm                          | 1060            | 1120        |             |
| 4.22           |                               | Fork dimensions                             | s/e/<br>l mm                   | 40 x 100 x 1000 |             |             |
| 4.23           |                               | Fork carriage connection class              |                                | 2A              |             |             |
| 4.24           |                               | Fork carriage width                         | b3 mm                          | 980             |             |             |
| 4.31           |                               | Ground clearance laden under mast           | m1 mm                          | 97              |             |             |
| 4.32           |                               | Ground clearance centre of wheelbase        | m2 mm                          | 83              |             |             |
| 4.34.1         |                               | Aisle width (pallet 1000×1200 sideways)     | Ast mm                         | 3224            | 3332        |             |
| 4.34.2         |                               | Aisle width (pallet 800×1200 length)        | Ast mm                         | 3348            | 3456        |             |
| 4.35           | Turning radius                | Wa mm                                       | 1545                           | 1653            |             |             |
| 4.36           | Smallest pivot point distance | b13 mm                                      | 0                              |                 |             |             |

|   |   |  |                                    |                           |                          |                          |
|---|---|--|------------------------------------|---------------------------|--------------------------|--------------------------|
| Performance data  | 5.1   | Travel speed laden/unladen (Efficiency   drivePLUS)          | km/h                               | 16 / 16   17 / 17         |                          |                          |
|   | 5.2   | Lift speed laden/unladen (Efficiency   liftPLUS)             | m/s                                | 0.43 / 0.66   0.57 / 0.82 | 0.4 / 0.52   0.52 / 0.68 | 0.38 / 0.52   0.5 / 0.68 |
|   | 5.3   | Lowering speed laden/unladen                                 | m/s                                | 0.55 / 0.55               |                          |                          |
|   | 5.5   | Drawbar pull laden/unladen                                   | N                                  | 2150 / 2450               | 2000 / 2300              | 1900 / 2300              |
|   | 5.6   | Max. drawbar pull laden/unladen                              | N                                  | 13500 / 13500             |                          |                          |
|   | 5.7   | Gradeability laden/unladen                                   | %                                  | 12 / 20                   |                          |                          |
|   | 5.8   | Max. gradeability laden/unladen                              | %                                  | 24 / 35                   |                          | 22 / 35                  |
|   | 5.9   | Acceleration time laden/unladen (Efficiency   drivePLUS)     | s                                  | 5.2 / 4.9   5.2 / 4.8     | 5.1 / 4.7   5 / 4.6      | 5 / 4.6   5 / 4.5        |
|   | 5.10  | Service brake  |                                    | mechanical/hydraulic      |                          |                          |
|   | Electric motor/electronics                                  | 6.1  | Drive motor, performance S2 60 min | kW                        | 4.6                      |                          |
| 6.1.1   |   | 2. Drive motor, performance S2 60 min                        | kW                                 | 4.6                       |                          |                          |
| 6.2   |   | Lift motor, performance with S3                              | kW                                 | 15.5                      |                          |                          |
| 6.3   |   | Battery according to DIN 43531/35/36                         |                                    | DIN 43531 A               |                          |                          |
| 6.4   |   | Battery voltage/nominal capacity                             | V / Ah                             | 48 / 625                  |                          | 48 / 750                 |
| 6.5   |   | Battery weight   | kg                                 | 856                       |                          | 1013                     |
| 6.6.1   |   | Energy consumption according to EN cycle (Efficiency   PLUS) | kWh/h                              | 4.8   4.71                | 4.87   4.83              | 4.94   4.94              |
| 6.6.2   |   | CO2 equivalent according to EN ISO 23308 (Efficiency   PLUS) | kg/h0                              | 2.59   2.5                | 2.63   2.6               | 2.67   2.6               |
| 6.7   |   | Throughput (Efficiency   PLUS)                               | t/h                                | 118   121                 | 130   133                | 141   145                |
| 6.8.1   | Energy consumption with max. throughput (Efficiency   PLUS) | kWh/h  | 6.39   6.44                        | 6.82   6.86               | 7.24   7.27              |                          |
| Other   | 8.1   | Type of drive control  |                                    | Impulse/AC                |                          |                          |
|   | 10.1  | Operating pressure for attachment                            | bar                                | 230                       |                          |                          |
|   | 10.2  | Oil flow for attachments                                     | l/min                              | 22                        |                          |                          |
|   | 10.7  | Sound pressure level according to EN12053                    | dB (A)                             | 72                        |                          |                          |
|   | 10.8  | Trailer coupling, model/type DIN                             |                                    | Bolts                     |                          |                          |
| - This data sheet according to VDI guideline 2198 only states the technical values of the standard truck. Different tyres, other masts, additional equipment etc. may result in different values. |   |  |                                    |                           |                          |                          |