



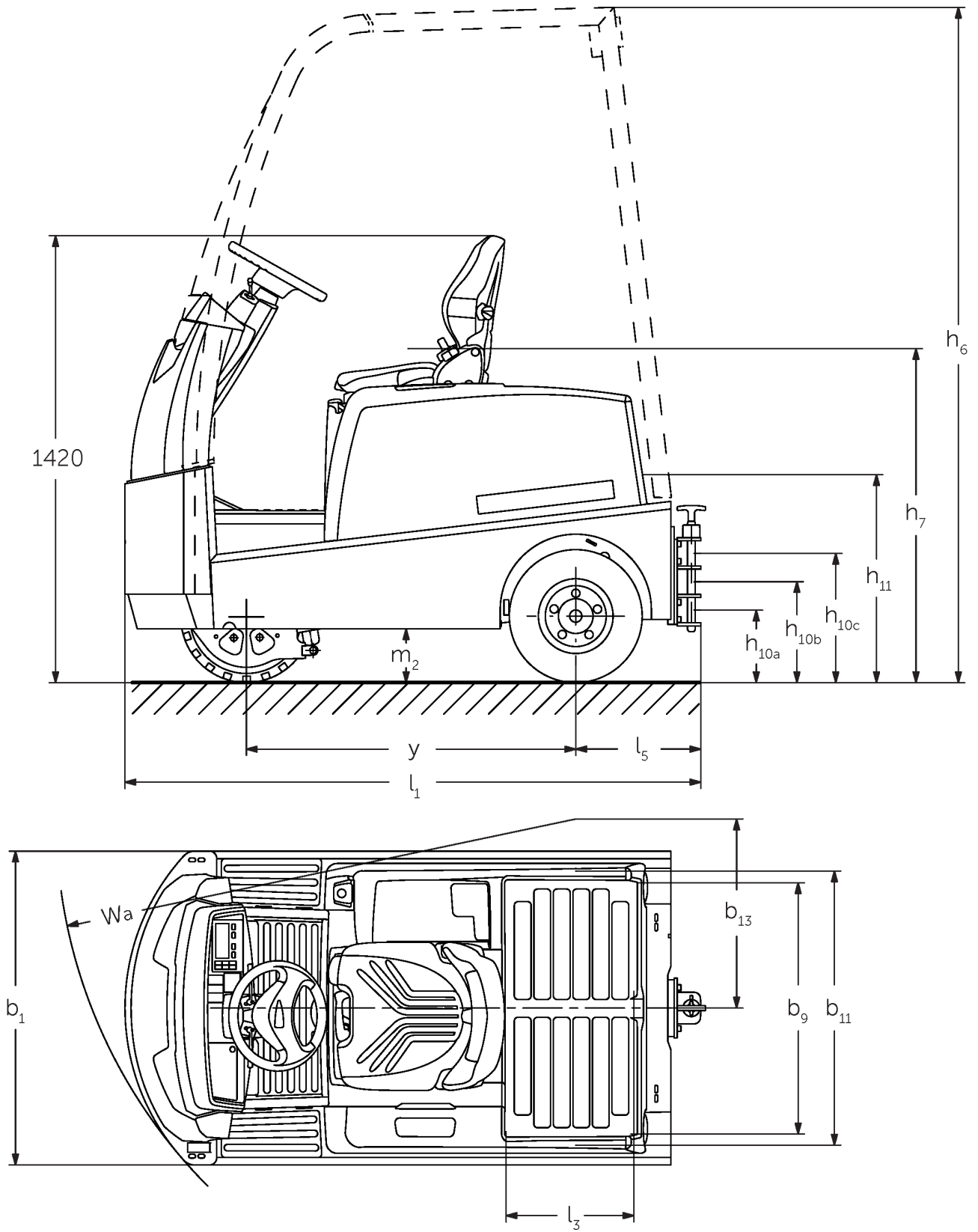
## Electric tow tractor

**EZS 570–5100**

Towing capacity: 7000-10000 kg



# EZS 570-5100



EZS 580, technical drawing, data sheet



## VDI table

|                  |                               | Jungheinrich                           |                                |             |             |             |             |
|------------------|-------------------------------|--|--------------------------------|-------------|-------------|-------------|-------------|
|                  |                               | EZS 570                                | EZS 580                        | EZS 590     | EZS 5100 XL |             |             |
| Characteristic   | 1.1                           | Manufacturer (abbreviated description) |                                |             |             |             |             |
|                  | 1.2                           | Manufacturer's type designation        |                                |             |             |             |             |
|                  | 1.3                           | Drive type                             | electric                       |             |             |             |             |
|                  | 1.4                           | Operation                              | Seat                           |             |             |             |             |
|                  | 1.5.3                         | Towing capacity                        | Q kg                           | 7000        | 8000        | 9000        | 10000       |
|                  | 1.7                           | Rated drawbar pull                     | N                              | 1400        | 1600        | 1800        | 2000        |
|                  | 1.9                           | Wheelbase                              | y mm                           | 1035        |             |             | 1250        |
| Weights          | 2.1.1                         | Service weight (incl. battery)         | kg                             | 1260        | 1320        | 1410        | 1825        |
|                  | 2.3                           | Axle load unladen front/rear           | kg                             | 580 / 680   | 580 / 740   | 620 / 790   | 880 / 945   |
| Wheels/chassis   | 3.1                           | Tyres                                  | Super-elastic (SE)             |             |             |             |             |
|                  | 3.2                           | Tyre size, front                       | 4.00-8                         | 16x6-8      |             | 16x6-8      |             |
|                  | 3.3                           | Tyre size, rear                        | 4.00-8                         |             |             |             |             |
|                  | 3.5                           | Wheels, number front/back (x=driven)   | 1 / 2x                         |             |             |             |             |
|                  | 3.6                           | Tread width, front                     | b10 mm                         | 0           |             |             |             |
|                  | 3.7                           | Tread width, rear                      | b11 mm                         | 870         |             |             |             |
|                  | Basic dimensions              | 4.7                                    | Height of overhead guard (cab) | h6 mm       | 2150        |             | 2140        |
| 4.8              |                               | Seat height/stand height               | h7 mm                          | 1040        |             |             |             |
| 4.12             |                               | Coupling height                        | h10 mm                         | 265         |             |             |             |
| 4.12.1           |                               | 2. Coupling height                     | mm                             | 330         |             |             |             |
| 4.12.2           |                               | 3. Coupling height                     | mm                             | 395         |             |             |             |
| 4.13             |                               | Loading height, unladen                | mm                             | 650         | 640         |             |             |
| 4.16             |                               | Loading area length                    | l3 mm                          | 400         |             |             |             |
| 4.17             |                               | Overhang length                        | mm                             | 375         |             |             |             |
| 4.18             |                               | Loading area width                     | b9 mm                          | 795         |             |             |             |
| 4.19             |                               | Total length                           | l1 mm                          | 1828        | 2048        |             |             |
| 4.21.1           |                               | total width                            | b1 mm                          | 996         |             |             |             |
| 4.32             |                               | Ground clearance centre of wheelbase   | m2 mm                          | 160         | 130         |             |             |
| 4.35             | Turning radius                | Wa mm                                  | 1652                           |             | 1866        |             |             |
| 4.36             | Smallest pivot point distance | b13 mm                                 | 600                            |             | 665         |             |             |
| Performance data | 5.1                           | Travel speed laden/unladen             | km/h                           | 9 / 18      | 8.5 / 18    | 7.5 / 18    |             |
|                  | 5.5                           | Drawbar pull laden/unladen             | N                              | 1400 / 1400 | 1600 / 1600 | 1800 / 1800 | 2000 / 2000 |
|                  | 5.6                           | Max. drawbar pull laden/unladen        | N                              | 5500 / 5500 | 6500 / 6500 | 7500 / 7500 | 7600 / 7600 |
|                  | 5.10                          | Service brake                          | electric                       |             |             |             |             |

|                            |       |   |        |            |     |      |          |
|----------------------------|-------|---|--------|------------|-----|------|----------|
| Electric motor/electronics | 6.1   | Drive motor, performance S2 60 min        | kW     | 4.5        |     |      |          |
|                            | 6.4   | Battery voltage/nominal capacity          | V / Ah | 48 / 375   |     |      | 48 / 625 |
|                            | 6.5   | Battery weight                            | kg     | 575        |     |      | 860      |
|                            | 6.6   | Energy consumption according to VDI cycle | kWh/h  | 0          |     |      |          |
|                            | 6.6.1 | Energy consumption according to EN cycle  | kWh/h  | 1.33       | 1.5 | 1.67 | 1.84     |
|                            | 6.6.2 | CO2 equivalent according to EN ISO 23308  | kg/h0  | 0.7        | 0.8 | 0.9  | 1        |
| Other                      | 8.1   | Type of drive control                     |        | Impulse/AC |     |      |          |
|                            | 10.7  | Sound pressure level according to EN12053 | dB (A) | 62         |     |      |          |

- This data sheet according to VDI guideline 2198 only states the technical values of the standard truck. Different tyres, other masts, additional equipment etc. may result in different values.

The German production facilities in  
Norderstedt, Moosburg and Landsberg are  
certified as well as our Genuine Parts  
Center in Kaltenkirchen.

ISO 9001  
ISO 14001

Jungheinrich fork lift trucks meet European  
safety requirements.



 **JUNGHEINRICH**

The logo features a red arrow pointing upwards, positioned to the left of the word 'JUNGHEINRICH' which is written in a bold, black, sans-serif font.