



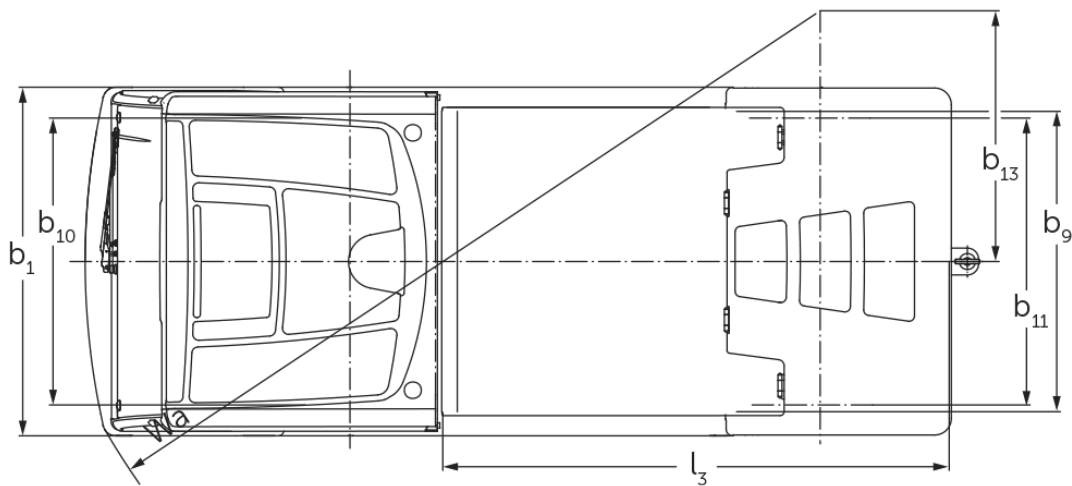
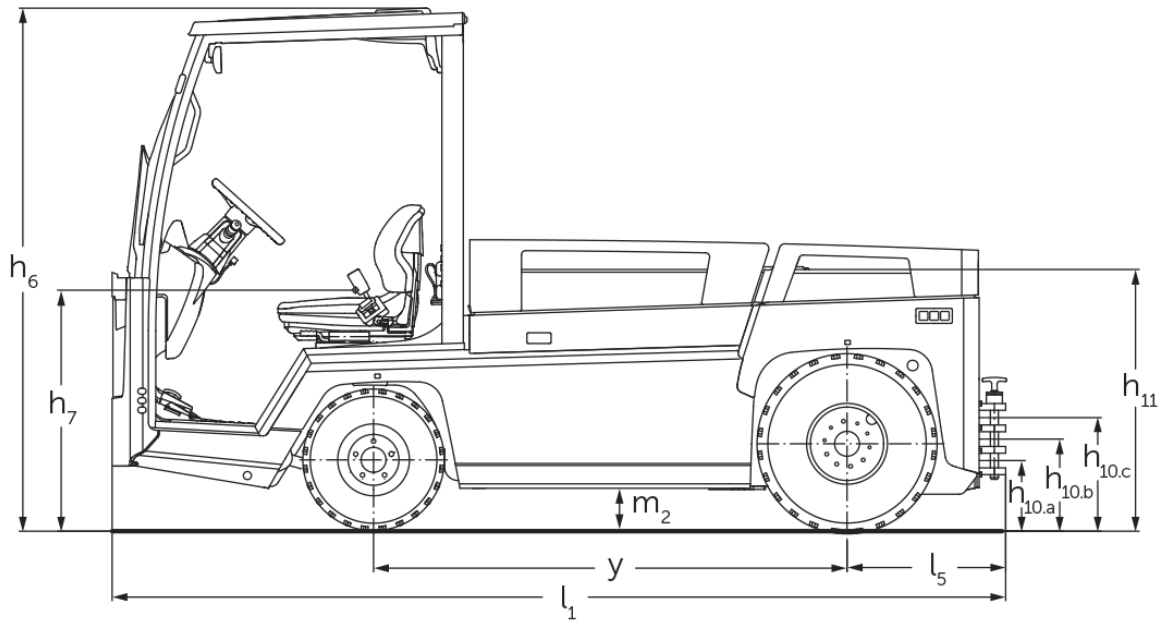
## Electric tow tractor

**EZS 7280**

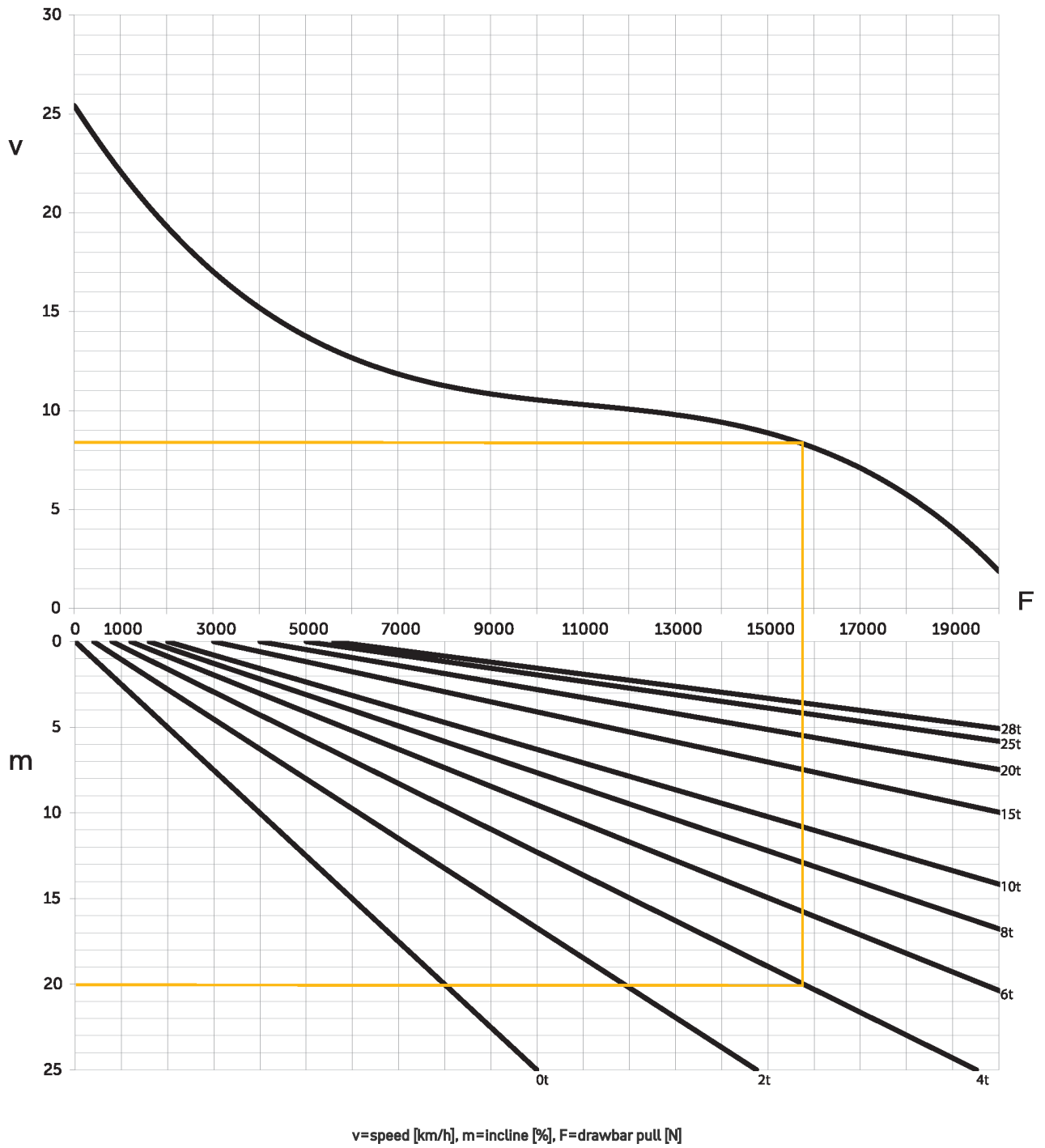
Towing capacity: 28000 kg



# EZS 7280



### Pulling ability



## VDI table

|                  |                               |  | Jungheinrich                   |                           |
|------------------|-------------------------------|--|--------------------------------|---------------------------|
|                  |                               |  | EZS 7280                       | EZS 7280 XL               |
| Characteristic   | 1.1                           | Manufacturer (abbreviated description) |                                |                           |
|                  | 1.2                           | Manufacturer's type designation        |                                |                           |
|                  | 1.3                           | Drive type                             |                                | electric                  |
|                  | 1.4                           | Operation                              |                                | Seat                      |
|                  | 1.5.3                         | Towing capacity                        | Q kg                           | 28000                     |
|                  | 1.7                           | Rated drawbar pull                     | N                              | 5600                      |
|                  | 1.9                           | Wheelbase                              | y mm                           | 1465   1755               |
| Weights          | 2.1.1                         | Service weight (incl. battery)         | kg                             | 4088   4796               |
|                  | 2.3                           | Axle load unladen front/rear           | kg                             | 2100 / 1988   2446 / 2350 |
| Wheels/chassis   | 3.1                           | Tyres                                  |                                | Air                       |
|                  | 3.2                           | Tyre size, front                       |                                | 6.00 R9                   |
|                  | 3.3                           | Tyre size, rear                        |                                | 7.00 R12                  |
|                  | 3.5                           | Wheels, number front/back (x=driven)   |                                | 2 / 2 x                   |
|                  | 3.6                           | Tread width, front                     | b10 mm                         | 1070                      |
|                  | 3.7                           | Tread width, rear                      | b11 mm                         | 1070                      |
|                  | Basic dimensions              | 4.7                                    | Height of overhead guard (cab) | h6 mm                     |
| 4.8              |                               | Seat height/stand height               | h7 mm                          | 880                       |
| 4.12             |                               | Coupling height                        | h10 mm                         | 240                       |
| 4.12.1           |                               | 2. Coupling height                     | mm                             | 320                       |
| 4.12.2           |                               | 3. Coupling height                     | mm                             | 400                       |
| 4.13             |                               | Loading height, unladen                | mm                             | 1000                      |
| 4.16             |                               | Loading area length                    | l3 mm                          | 1536   1826               |
| 4.17             |                               | Overhang length                        | mm                             | 610                       |
| 4.18             |                               | Loading area width                     | b9 mm                          | 1090                      |
| 4.19             |                               | Total length                           | l1 mm                          | 3045   3335               |
| 4.21.1           |                               | total width                            | b1 mm                          | 1300                      |
| 4.32             |                               | Ground clearance centre of wheelbase   | m2 mm                          | 150                       |
| 4.35             |                               | Turning radius                         | Wa mm                          | 2847   3178               |
| 4.36             | Smallest pivot point distance | b13 mm                                 | 935   1095                     |                           |
| Performance data | 5.1                           | Travel speed laden/unladen             | km/h                           | 12 / 25                   |
|                  | 5.1.1                         | Reverse travel speed with/without load | km/h                           | 10 / 10                   |
|                  | 5.5                           | Drawbar pull laden/unladen             | N                              | 5600 / 5600               |
|                  | 5.6                           | Max. drawbar pull laden/unladen        | N                              | 19000 / 19000             |
|                  | 5.10                          | Service brake                          |                                | hydraulic/electric        |

|  |      |   |        |                       |          |
|--|------|---|--------|-----------------------|----------|
| Electric motor/electronics   | 6.1  | Drive motor, performance S2 60 min        | kW     | 20                    |          |
|  | 6.4  | Battery voltage/nominal capacity          | V / Ah | 80 / 620              | 80 / 930 |
|  | 6.5  | Battery weight                            | kg     | 1560                  | 2180     |
|  | 6.6  | Energy consumption according to VDI cycle | kWh/h  | 0                     |          |
| Other  | 8.1  | Type of drive control                     |        | 3-phase AC technology |          |
|  | 10.7 | Sound pressure level according to EN12053 | dB (A) | 60                    |          |
| <p>- This data sheet according to VDI guideline 2198 only states the technical values of the standard truck. Different tyres, other masts, additional equipment etc. may result in different values.</p> |      |   |        |                       |          |

- VDI no. 4.12: the value for the coupling height applies to a triple coupling
- VDI no. 4.19: the specification for the overall length includes a triple coupling
- VDI no. 5.1: with a towing capacity of 25 t, the travel speed is 13 km/h
- VDI no. 10.7: the specification applies with deactivated ventilation / heating

The German production facilities in  
Norderstedt, Moosburg and Landsberg are  
certified as well as our Genuine Parts  
Center in Kaltenkirchen.

ISO 9001  
ISO 14001

Jungheinrich fork lift trucks meet European  
safety requirements.



 **JUNGHEINRICH**

The Jungheinrich logo, featuring a red upward-pointing arrow above the word 'JUNGHEINRICH' in a bold, black, sans-serif font.