



Medium/high level order picker

EKS 412s

Lift height: 5000-12500 mm / Load capacity: 1200 kg



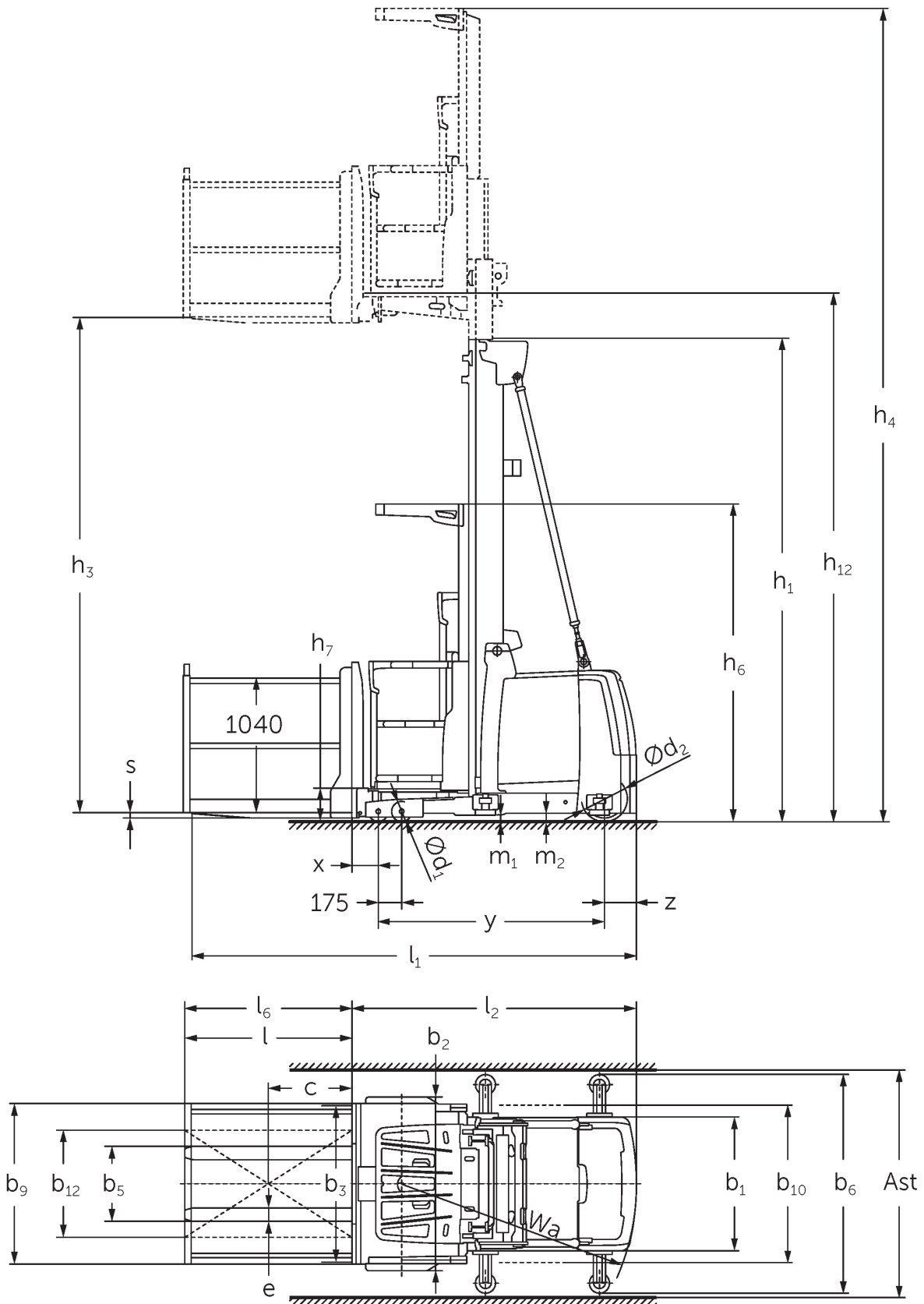
EKS 412s



EKS 3/4 Z version technical drawing



EKS 3/4 0 version technical drawing



EKS 3/4 L version technical drawing

EKS 412s

EKS 412s Z_I, EKS 412s Z_SF, EKS 412s L_I, EKS 412s L_SF, EKS 412s O_I, EKS 412s O_SF	Lift (h3)	Retracted mast height (h1)	Free lift (h2)	Extended mast height (h4)
Duplex mast ZT	4250 mm	2950 mm		6620 mm
	5000 mm	3330 mm		7370 mm
	5500 mm	3600 mm		7870 mm
	6000 mm	3850 mm		8370 mm
	6500 mm	4125 mm		8870 mm
	7500 mm	4650 mm		9870 mm
	8500 mm	5150 mm		10870 mm
Triplex mast DT	5500 mm	2610 mm		7870 mm
	6000 mm	2780 mm		8370 mm
	6500 mm	2940 mm		8870 mm
	7000 mm	3110 mm		9370 mm
	7500 mm	3275 mm		9870 mm
	8000 mm	3440 mm		10370 mm
	8500 mm	3610 mm		10870 mm
	9000 mm	3810 mm		11370 mm
	9500 mm	3980 mm		11870 mm
	10500 mm	4410 mm		12870 mm
Triplex mast DZ	5500 mm	2610 mm	240 mm	7870 mm
	6000 mm	2780 mm	410 mm	8370 mm
	6500 mm	2940 mm	570 mm	8870 mm
	7000 mm	3110 mm	740 mm	9370 mm
	7500 mm	3275 mm	905 mm	9870 mm
	8000 mm	3440 mm	1070 mm	10370 mm

	8500 mm	3610 mm	1240 mm	10870 mm
	9000 mm	3810 mm	1440 mm	11370 mm
	9500 mm	3980 mm	1610 mm	11870 mm
	10500 mm	4410 mm	2040 mm	12870 mm
	11500 mm	4810 mm	2440 mm	13870 mm
	12500 mm	5210 mm	2840 mm	14870 mm

VDI table

Characteristic	1.1	Manufacturer (abbreviated description)		Jungheinrich					
	1.3	Drive		Electric					
	1.4	Operation		Order pickers					
	1.5	Load capacity/load	Q kg	1200					
	1.6	Load centre distance	c mm	400					
	1.8	Load distance, centre of drive axle to fork	x mm	155	145				
	1.9	Wheelbase	y mm	1690					
Weights	2.1.1	Service weight (incl. battery)	kg	3650	3850		3590		
	2.2	Axle load laden front/rear	kg	3575 / 1160	3825 / 1110		3515 / 1160		
	2.3	Axle load unladen front/rear	kg	1840 / 1810	2090 / 1760		1780 / 1810		
Wheels/suspension system	3.1	Tyres		Polyurethane (PU)					
	3.2	Tyre size, front		Ø 150 x 95					
	3.3	Tyre size, rear		Ø 343 x 110					
	3.5	Wheels, number front/back (x=driven)		4 / 1 x					
	Basic dimensions	4.2	Retracted mast height (h1)	h1 mm	3330				
4.4		Lift (h3)	h3 mm	5000					
4.5		Extended mast height (h4)	h4 mm	7370					
4.7		Height of overhead guard (cab)	h6 mm	2370					
4.8.1		Stand height	h7 mm	245					
4.11		Additional lift	h9 mm	800	-				
4.14		Stand height, elevated	h12 mm	5245					
4.15		Height, lowered	h13 mm	60					
4.19		total length	l1 mm	3160	3285	3330		3275	
4.20		Length including fork shank	l2 mm	2160	2085	2075			
4.21.1		total width	b1 mm	1000					
4.22		Fork dimensions	s/ e/l mm	40 x 100 x 1200	50 x 100 x 1200	50 x 100 x 1250	50 x 100 x 1200		
4.25		Width across forks	b5 mm	560					
4.27		Width over guide rollers	b6 mm	-	1200	-	1200	-	1200
4.31		Ground clearance laden under mast	m1 mm	50					
4.35	Turning radius	Wa mm	1930						
Performance data	5.1	Travel speed laden/unladen	km/h	12 / 12					
	5.2	Lift speed laden/unladen	m/s	0.5 / 0.5					
	5.3	Lowering speed laden/unladen	m/s	0.5 / 0.5					
	5.10	Service brake		regenerative					
	5.11	Parking brake		Electric sprung-loaded					

E-motor/Electronics	6.1	Drive motor, performance S2 60 min	kW	6.5
	6.2	Lift motor, performance with S3	kW	12
	6.4	Battery voltage/nominal capacity	V / Ah	48 / 620
	6.5	Battery weight	kg	935
Other	8.1	Type of drive control		AC synchronous reluctance
	10.5	Steering version		electric
	10.7	Sound pressure level according to EN12053	dB (A)	60

- This data sheet according to VDI guideline 2198 only states the technical values of the standard truck. Different tyres, other masts, additional equipment etc. may result in different values.

- 5.1. With drivePLUS performance module
- 5.2. With liftPLUS performance module
- 5.3. With liftPLUS performance module

The German production facilities in
Norderstedt, Moosburg and Landsberg are
certified as well as our Genuine Parts
Center in Kaltenkirchen.

ISO 9001
ISO 14001

Jungheinrich fork lift trucks meet European
safety requirements.



 **JUNGHEINRICH**

The Jungheinrich logo, featuring a red upward-pointing arrow above the word 'JUNGHEINRICH' in a bold, black, sans-serif font.