



Medium/high level order picker

EKS 310s

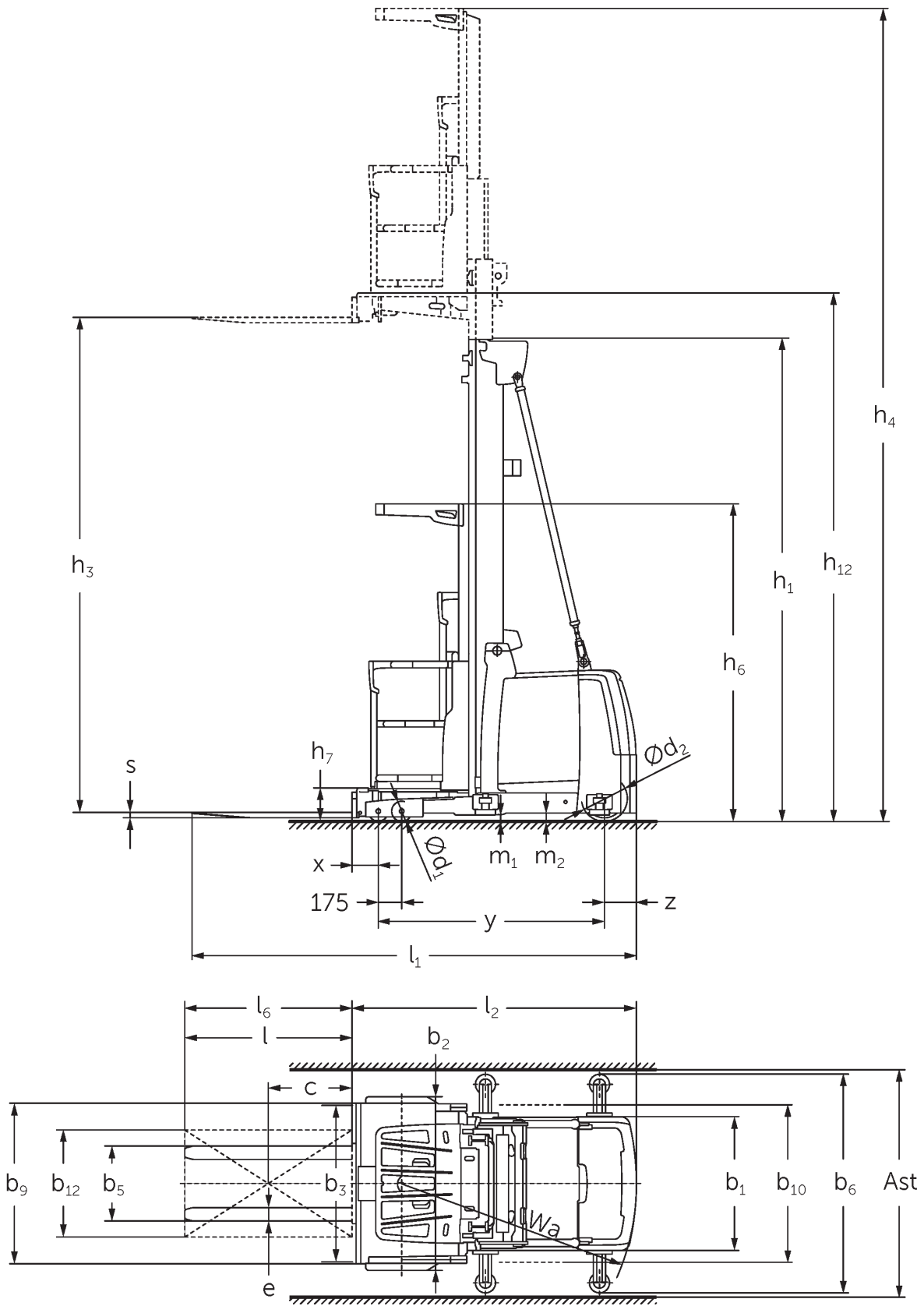
Lift height: 4250-7000 mm / Load capacity: 1000 kg



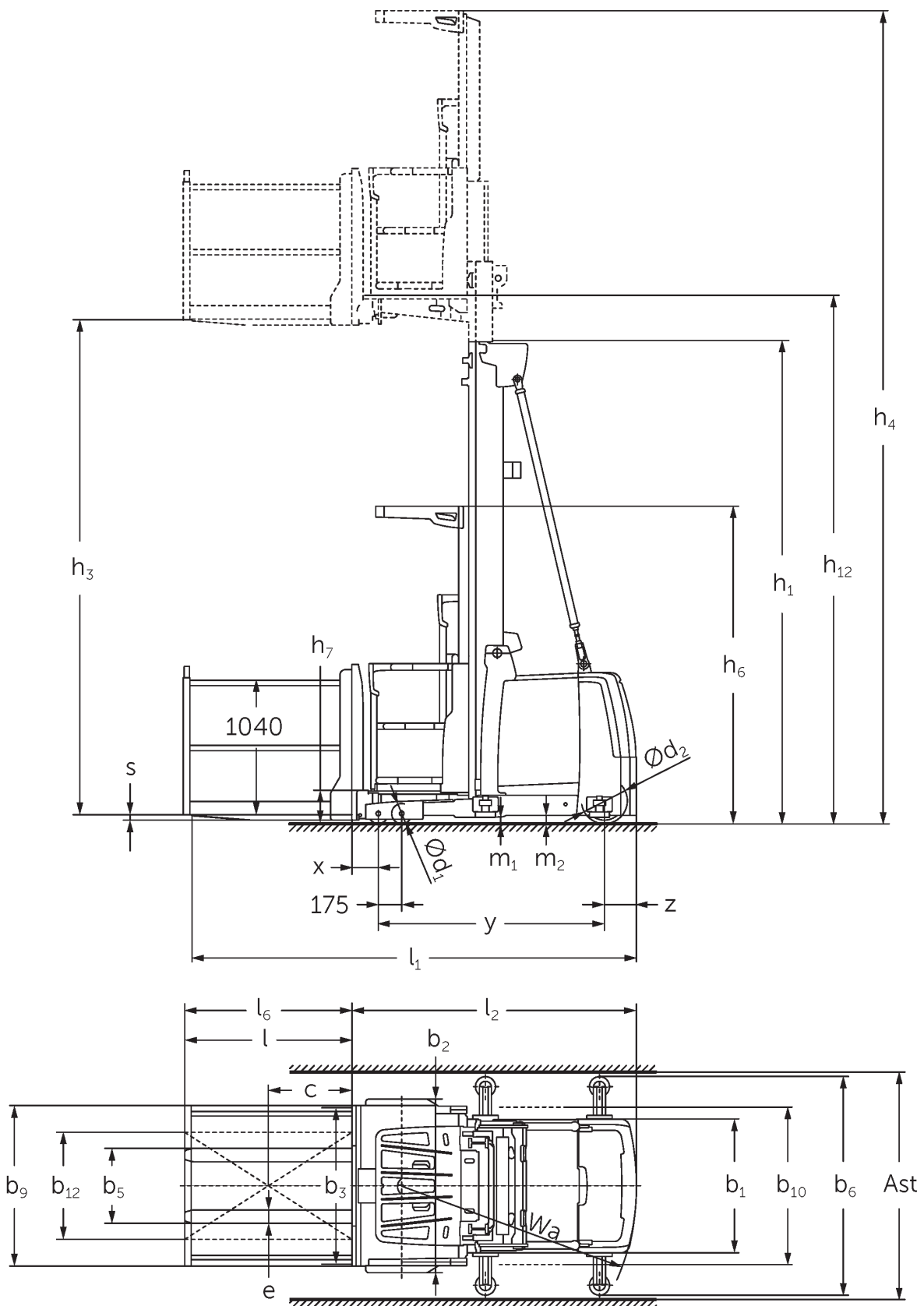
EKS 310s



EKS 3/4 Z version technical drawing



EKS 3/4 0 version technical drawing



EKS 3/4 L version technical drawing

EKS 310s

| EKS 310s Z_I, EKS 310s Z_SF, EKS 310s L_I, EKS 310s L_SF, EKS 310s O_I, EKS 310s O_SF | Lift (h3) | Retracted mast height (h1) | Free lift (h2) | Extended mast height (h4) |
|---|-----------|----------------------------|----------------|---------------------------|
| Duplex mast ZT | 2800 mm | 2325 mm | | 5170 mm |
| | 3500 mm | 2550 mm | | 5870 mm |
| | 4250 mm | 2950 mm | | 6620 mm |
| | 5000 mm | 3330 mm | | 7370 mm |
| | 5500 mm | 3600 mm | | 7870 mm |
| | 6000 mm | 3850 mm | | 8370 mm |
| Triplex mast DT | 4750 mm | 2370 mm | | 7120 mm |
| | 5500 mm | 2610 mm | | 7870 mm |
| | 6000 mm | 2780 mm | | 8370 mm |
| | 6500 mm | 2940 mm | | 8870 mm |
| | 7000 mm | 3110 mm | | 9370 mm |
| Triplex mast DZ | 4750 mm | 2370 mm | | 7120 mm |
| | 5500 mm | 2610 mm | 240 mm | 7870 mm |
| | 6000 mm | 2780 mm | 410 mm | 8370 mm |
| | 6500 mm | 2940 mm | 570 mm | 8870 mm |
| | 7000 mm | 3110 mm | 740 mm | 9370 mm |

VDI table

| | | | | | | | |
|------------------|----------------|---|--------------|------------------------|---------------|-----------------|-----------------|
| Characteristic | 1.1 | Manufacturer (abbreviated description) | | Jungheinrich | | | |
| | 1.2 | Manufacturer's type designation | | EKS 310s Z_I | EKS 310s Z_SF | EKS 310s L_I | EKS 310s |
| | 1.3 | Drive type | | electric | | | |
| | 1.4 | Operation | | Order pickers | | | |
| | 1.5 | Load capacity/load | Q kg | 1000 | | | |
| | 1.6 | Load centre distance | c mm | 400 | | | |
| | 1.8 | Load distance, centre of drive axle to fork | x mm | 155 | | | |
| | 1.9 | Wheelbase | y mm | 1520 | | | |
| Weights | 2.1.1 | Service weight (incl. battery) | kg | 2600 | | | 2550 |
| | 2.2 | Axle load laden front/rear | kg | 2740 / 860 | | 2770 / 830 | 2695 / 855 |
| | 2.3 | Axle load unladen front/rear | kg | 1240 / 1360 | | 1270 / 1330 | 1195 / 1355 |
| Wheels/chassis | 3.1 | Tyres | | Polyurethane (PU) | | | |
| | 3.2 | Tyre size, front | | Ø 150 x 100 | | | |
| | 3.3 | Tyre size, rear | | Ø 250 x 80 | | | |
| | 3.4 | Wheels, number front/back (x=driven) | | 4 / 1 x | | | |
| | 3.5 | Wheels, number front/back (x=driven) | | 4 / 1 x | | | |
| Basic dimensions | 4.2 | Retracted mast height (h1) | h1 mm | 2950 | | | |
| | 4.4 | Lift (h3) | h3 mm | 4250 | | | |
| | 4.5 | Extended mast height (h4) | h4 mm | 6620 | | | |
| | 4.7 | Height of overhead guard (cab) | h6 mm | 2370 | | | |
| | 4.8.1 | Stand height | h7 mm | 245 | | | |
| | 4.14 | Stand height, elevated | h12 mm | 4495 | | | |
| | 4.15 | Height, lowered | h13 mm | 60 | | | |
| | 4.19 | Total length | l1 mm | 3095 | | 3140 | 3085 |
| | 4.20 | Length including fork shank | l2 mm | 1895 | | 1885 | |
| | 4.21.1 | total width | b1 mm | 900 | | | |
| | 4.22 | Fork dimensions | s/ e/l mm | 40 x 100 x 1200 | | 50 x 100 x 1250 | 50 x 100 x 1200 |
| | 4.25 | Width across forks | b5 mm | 560 | | | |
| | 4.31 | Ground clearance laden under mast | m1 mm | 50 | | | |
| 4.35 | Turning radius | Wa mm | 1643 | | | | |
| Performance data | 5.1 | Travel speed laden/unladen | km/h | 12 / 12 | | | |
| | 5.2 | Lift speed laden/unladen | m/s | 0.5 / 0.5 | | | |
| | 5.3 | Lowering speed laden/unladen | m/s | 0.5 / 0.5 | | | |
| | 5.10 | Service brake | | regenerative | | | |
| | 5.11 | Parking brake | | Electric sprung-loaded | | | |

| | | | | |
|---|------|---|--------|---------------------------|
| Electric motor/electronics | 6.1 | Drive motor, performance S2 60 min | kW | 3 |
| | 6.2 | Lift motor, performance with S3 | kW | 12 |
| | 6.4 | Battery voltage/nominal capacity | V / Ah | 48 / 465 |
| | 6.5 | Battery weight | kg | 740 |
| Other | 8.1 | Type of drive control | | AC synchronous reluctance |
| | 10.5 | Steering version | | electric |
| | 10.7 | Sound pressure level according to EN12053 | dB (A) | 59 |
| - This data sheet according to VDI guideline 2198 only states the technical values of the standard truck. Different tyres, other masts, additional equipment etc. may result in different values. | | | | |

- 5.1. With drivePLUS performance module
- 5.2. With liftPLUS performance module
- 5.3. With liftPLUS performance module

The German production facilities in
Norderstedt, Moosburg and Landsberg are
certified as well as our Genuine Parts
Center in Kaltenkirchen.

ISO 9001
ISO 14001

Jungheinrich fork lift trucks meet European
safety requirements.



 **JUNGHEINRICH**

The Jungheinrich logo, featuring a red upward-pointing arrow above the word 'JUNGHEINRICH' in a bold, black, sans-serif font.