

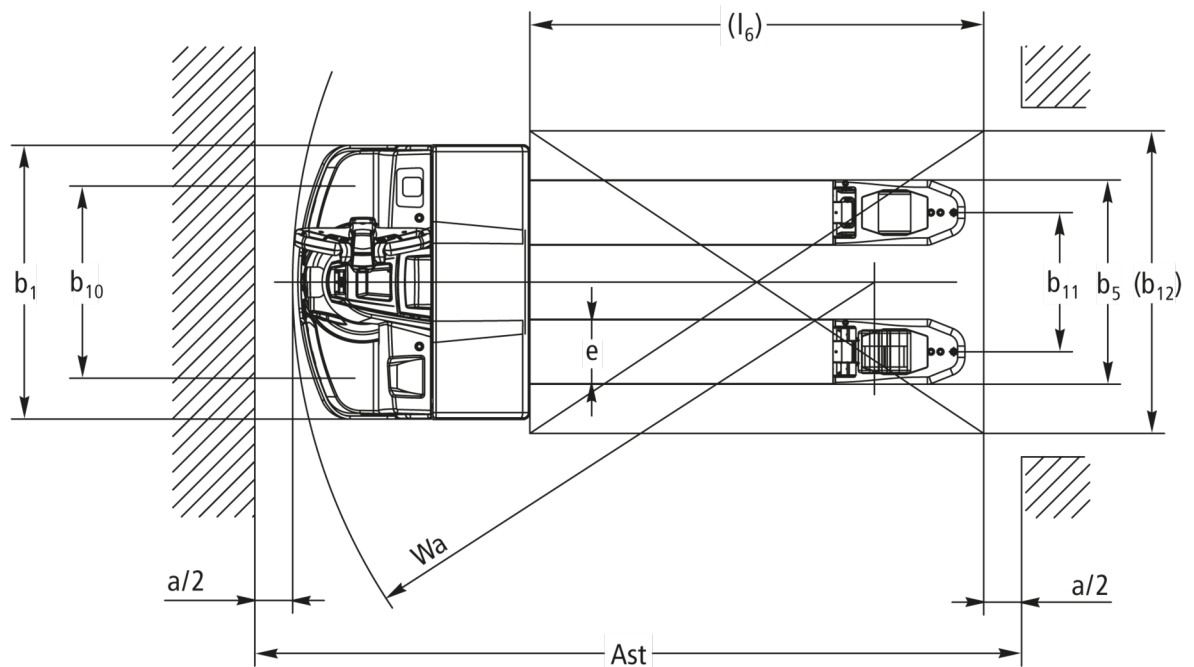
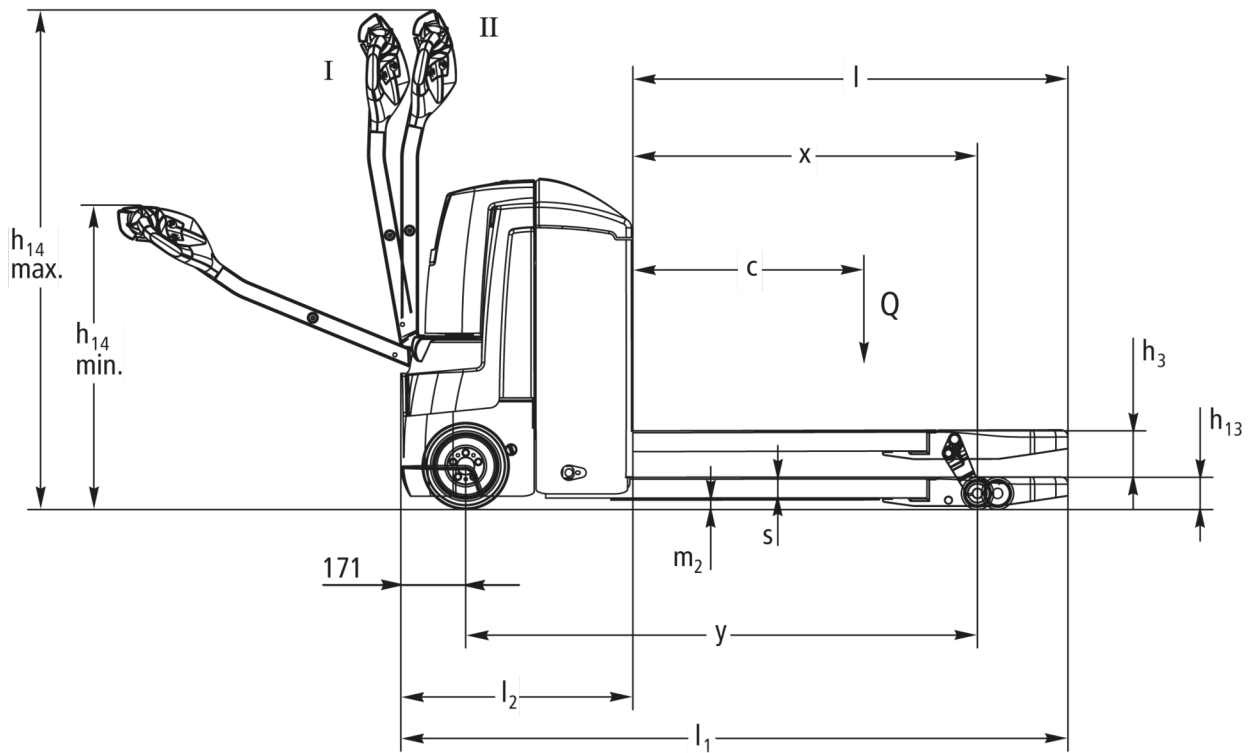


Electric pedestrian pallet truck

EJE 220r / 225r

Lift height: 122 mm / Capacity: 2000-2500 kg

EJE 220r / 225r



Characteristic	Item	Description	Unit	Jungheinrich	
				EJE 220r	EJE 225r
Characteristic	1.1	Manufacturer (abbreviated description)		Jungheinrich	
	1.2	Manufacturer's type designation			
	1.3	Drive		Electric	
	1.4	Operation		Pedestrian	
	1.5	Capacity/load	Q kg	2.000	2.500
	1.6	Load centre distance	c mm	600	
	1.8	Load distance, centre of drive axle to fork	x mm	911	
	1.9	Wheelbase	y mm	1.353	1.425
	Weights	2.1.1	Service weight (incl. battery)	kg	560
2.2		Axle load laden front/rear	kg	886 / 1.674	1.044 / 2.123
2.3		Axle load unladen front/rear	kg	433 / 127	507 / 160
Wheels/suspension system	3.1	Tyres		PU/VU	
	3.2	Tyre size, front		Ø 230 x 70	
	3.3	Tyre size, rear		Ø 85 x 110	
	3.4	Additional wheels		Ø 100 x 40	
	3.5	Wheels, number front/back (x=driven)		1x + 2	
	3.6	Tread width, front	b ₁₀ mm	508	
	3.7	Tread width, rear	b ₁₁ mm	368	
Basic dimensions	4.4	Lift (h ₃)	h ₃ mm	122	
	4.9	Height of tiller handle in drive position min./max.	mm	805 / 1.321	
	4.15	Height, lowered	h ₁₃ mm	85	
	4.19	Overall length	l ₁ mm	1.763	1.835
	4.20	Length including fork shank	l ₂ mm	613	685
	4.21	Overall width	b ₁ /b ₂ mm	720	
	4.22	Fork dimensions	s/e/l mm	55 / 172 / 1.150	
	4.25	Width across forks (dimension 1), WaF	b ₅ mm	540	
	4.32	Ground clearance centre of wheelbase	m ₂ mm	30	
	4.34	Aisle width (pallet 1000x1200 sideways)	A _{st} mm	1.977	2.049
	4.34.1	Aisle width (pallet 800x1200 length)	A _{st} mm	2.027	2.099
	4.35	Turning radius	W ₃ mm	1.538	1.610
Performance data	5.1	Travel speed laden/unladen	km/h	6 / 6	
	5.2	Lift speed laden/unladen	m/s	0.04 / 0.06	0.03 / 0.06
	5.3	Lowering speed laden/unladen	m/s	0.05 / 0.05	
	5.8	Max. gradeability laden/unladen	%	10 / 20	8 / 20
E-motor/ Electronics	6.1	Drive motor, performance S2 60 min	kW	1.6	
	6.2	Lift motor, performance with S3	kW	1.5	
	6.3	Battery according to DIN 43531/35/36		B	
	6.4	Battery voltage / nominal capacity	V / Ah	24 / 250	24 / 375
	6.5	Battery weight	kg	220	288
Miscellaneous	10.7	Sound level as per EN12053, operator's ear	dB (A)	70	

- In accordance with VDI Guideline 2198 this data sheet provides details of the standard truck only. Non-standard tyres, different masts, optional equipment, etc. may result in different values.

- 1.8: Load section lowered: + 55 mm - 1.9: Load section lowered: + 55 mm - 4.33: Diagonal as per VDI: + 366 mm - 4.34: Diagonal as per VDI: + 204 mm - 4.35: Load section lowered: + 55 mm

The German production facilities in
Norderstedt, Moosburg and Landsberg
are certified.

ISO 9001
ISO 14001

Jungheinrich fork lift trucks meet
European safety requirements.



 **JUNGHEINRICH**

The logo features a red upward-pointing arrow integrated into the letter 'J' of the word 'JUNGHEINRICH', which is written in a bold, black, sans-serif font.