



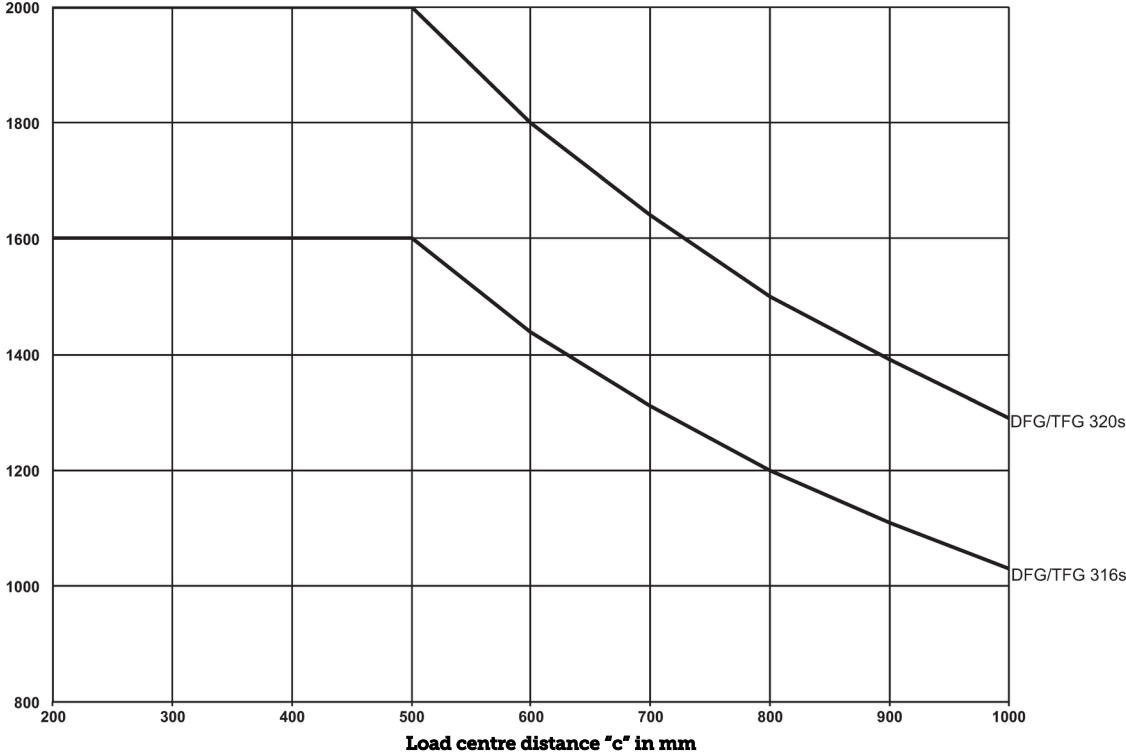
Diesel forklift truck **DFG 316s-320s**

Lift height: 2900-7500 mm / Capacity: 1600-2000 kg

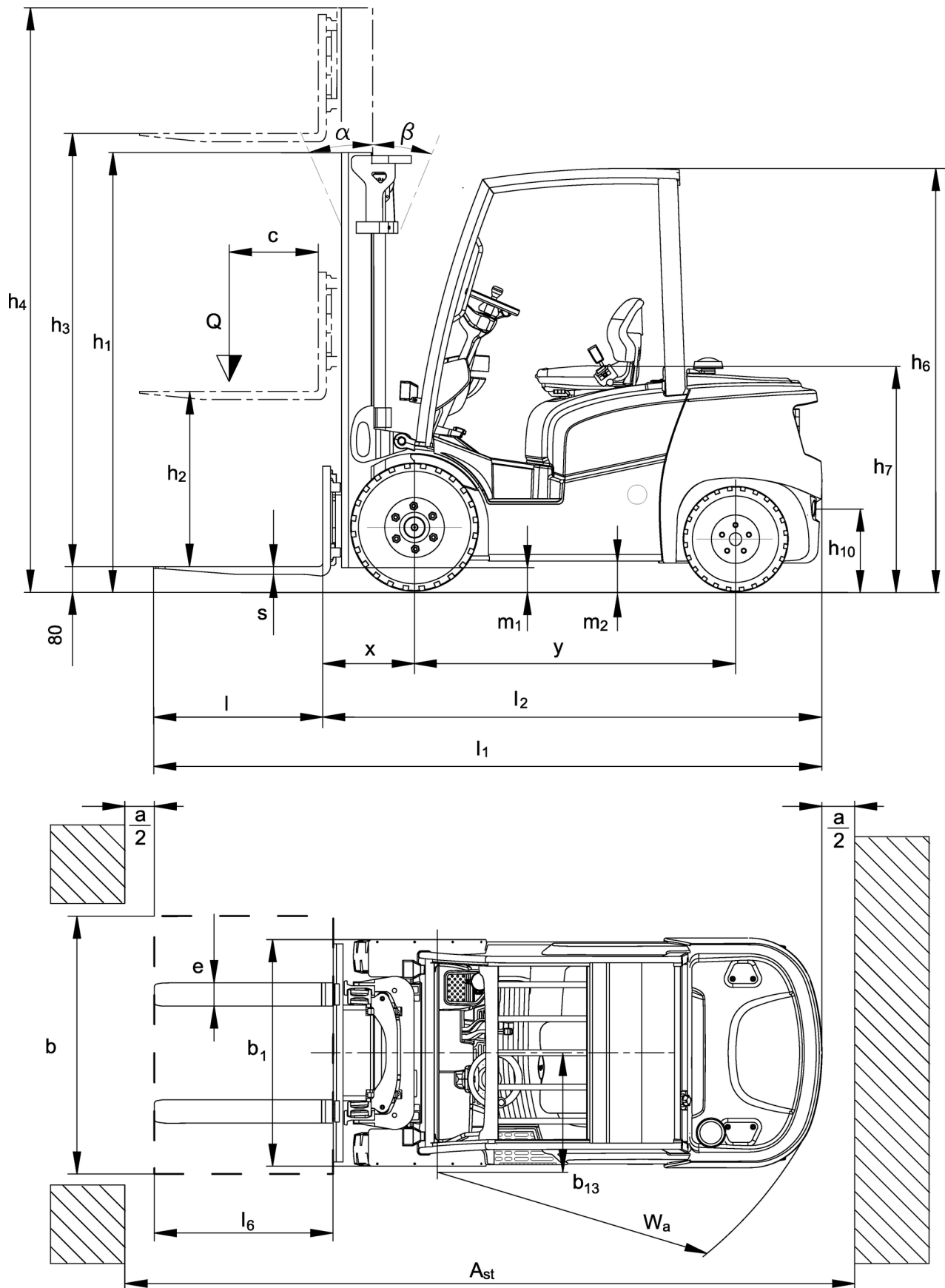
 JUNGHEINRICH

DFG 316s-320s

Capacity (kg)



DFG 316s-320s



DFG 316s-320s

DFG 316s	Lift (h3)	Retracted mast height (h1)	Free lift (h2)	Extended mast height (h4)	Tilt of mast forwards/backwards
Duplex mast ZT	2900 mm	2005 mm	150 mm	3479 mm	7 / 7 °
	3100 mm	2105 mm	150 mm	3679 mm	7 / 7 °
	3300 mm	2205 mm	150 mm	3879 mm	7 / 7 °
	3500 mm	2305 mm	150 mm	4079 mm	7 / 6 °
	3700 mm	2405 mm	150 mm	4279 mm	7 / 6 °
	4000 mm	2505 mm	150 mm	4579 mm	7 / 6 °
	4300 mm	2705 mm	150 mm	4879 mm	7 / 6 °
	4500 mm	2805 mm	150 mm	5079 mm	7 / 6 °
Duplex mast ZZ	3100 mm	2060 mm	1474 mm	3679 mm	7 / 7 °
	3300 mm	2160 mm	1574 mm	3879 mm	7 / 7 °
	3500 mm	2260 mm	1674 mm	4079 mm	7 / 6 °
	3700 mm	2360 mm	1774 mm	4279 mm	7 / 6 °
Triplex mast DZ	4400 mm	2020 mm	1434 mm	4979 mm	7 / 5 °
	4640 mm	2100 mm	1514 mm	5219 mm	7 / 5 °
	4700 mm	2120 mm	1530 mm	5279 mm	7 / 5 °
	4800 mm	2160 mm	1570 mm	5379 mm	7 / 5 °
	5000 mm	2230 mm	1644 mm	5579 mm	7 / 5 °
	5500 mm	2410 mm	1824 mm	6079 mm	7 / 5 °
	6000 mm	2580 mm	1994 mm	6579 mm	7 / 5 °
	6500 mm	2760 mm	2174 mm	7079 mm	7 / 5 °
	7000 mm	2930 mm	2344 mm	7579 mm	
	7500 mm	3100 mm	2514 mm	8079 mm	
DFG 320s	Lift (h3)	Retracted mast height (h1)	Free lift (h2)	Extended mast height (h4)	Tilt of mast forwards/backwards
Duplex mast ZT	2900 mm	2012 mm	150 mm	3501 mm	7 / 7 °
	3100 mm	2112 mm	150 mm	3701 mm	7 / 7 °
	3300 mm	2212 mm	150 mm	3901 mm	7 / 7 °
	3500 mm	2312 mm	150 mm	4101 mm	7 / 6 °
	3700 mm	2412 mm	150 mm	4301 mm	7 / 6 °
	4000 mm	2512 mm	150 mm	4601 mm	7 / 6 °
	4300 mm	2712 mm	150 mm	4901 mm	7 / 6 °
	4500 mm	2812 mm	150 mm	5101 mm	7 / 6 °
	5000 mm	3117 mm	150 mm	5612 mm	7 / 5 °
Duplex mast ZZ	3100 mm	2067 mm	1432 mm	3731 mm	7 / 7 °
	3300 mm	2167 mm	1532 mm	3931 mm	7 / 7 °
	3500 mm	2267 mm	1632 mm	4131 mm	7 / 6 °
	3700 mm	2367 mm	1732 mm	4331 mm	7 / 6 °
	4000 mm	2517 mm	1882 mm	4631 mm	7 / 6 °
Triplex mast DZ	4400 mm	2027 mm	1397 mm	5031 mm	7 / 5 °
	4640 mm	2107 mm	1477 mm	5271 mm	7 / 5 °
	4700 mm	2127 mm	1485 mm	5331 mm	7 / 5 °
	4800 mm	2167 mm	1525 mm	5431 mm	7 / 5 °
	5000 mm	2237 mm	1607 mm	5631 mm	7 / 5 °
	5500 mm	2417 mm	1787 mm	6131 mm	7 / 5 °
	6000 mm	2587 mm	1962 mm	6631 mm	7 / 5 °
	6500 mm	2767 mm	2140 mm	7131 mm	7 / 5 °
7000 mm	2937 mm	2307 mm	7631 mm		

7500 mm

3107 mm

2477 mm

8131 mm

VDI table

Stand-on: 03/2020

Characteristic	1.1	Manufacturer (abbreviated description)			Jungheinrich	
	1.2	Manufacturer's type designation			DFG 316s	DFG 320s
	1.3	Drive			Diesel	
	1.4	Operation			Seat	
	1.5	Capacity/load	Q	kg	1.600	2.000
	1.6	Load centre distance	c	mm	500	
	1.8	Load distance, centre of drive axle to fork	x	mm	409	416
	1.9	Wheelbase	y	mm	1.550	
Weights	2.1	Service weight			2.800	3.100
	2.2	Axle load laden front/rear			3.870 / 520	4.500 / 590
	2.3	Axle load unladen front/rear			1.340 / 1.460	1.350 / 1.750
Wheels/suspension system	3.1	Tyres			SE	
	3.2	Tyre size, front			6.50-10	
	3.3	Tyre size, rear			18x7-8	
	3.5	Wheels, number front/back (x=driven)			2x/2	
	3.6	Tread width, front	b ₁₀	mm	930	
	3.7	Tread width, rear	b ₁₁	mm	870	
	Basic dimensions	4.2	Retracted mast height (h1)	h ₁	mm	2.205
4.3		Free lift (h2)	h ₂	mm	150	
4.4		Lift (h3)	h ₃	mm	3.300	
4.5		Extended mast height (h4)	h ₄	mm	3.879	3.901
4.7		Height of overhead guard (cab)	h ₆	mm	2.145	
4.8		Seat height/stand height	h ₇	mm	1.048	
4.12		Coupling height	h ₁₀	mm	380	
4.19		Overall length	l ₁	mm	3.464	3.491
4.20		Length including fork shank	l ₂	mm	2.314	2.341
4.21		Overall width	b ₁ /b ₂	mm	1.110	
4.22		Fork dimensions	s/e/l	mm	40 / 100 / 1.150	
4.23		Fork carriage connection class			2A	
4.24		Fork carriage width	b ₃	mm	980	
4.31		Ground clearance laden under mast	m ₁	mm	100	107
4.32		Ground clearance centre of wheelbase	m ₂	mm	120	
4.34		Aisle width (pallet 1000x1200 sideways)	A _{st}	mm	3.646	3.664
4.34.1		Aisle width (pallet 800x1200 length)	A _{st}	mm	3.846	3.864
4.35	Turning radius	W _a	mm	2.037	2.055	
4.36	Smallest pivot point distance	b ₁₃	mm	545		
Performance data	5.1	Travel speed laden/unladen			19.5 / 19.5	
	5.2	Lift speed laden/unladen			0.60 / 0.62	
	5.3	Lowering speed laden/unladen			0.54 / 0.57	
	5.5	Drawbar pull laden/unladen			12.100 /	11.900 /
	5.7	Gradeability laden/unladen			26 /	23 /
	5.9	Acceleration time laden/unladen			4.8 / 4.4	5.1 / 4.6
	5.10	Service brake			hydrostatic	
	5.11	Parking brake			Automatically engaging parking brake	

V-engine	7.1	Motor manufacturer/type		VW / BXT	
	7.2	Motor power as per DIN ISO 1585	kW	29	
	7.3	Rated speed	1/min	2.500	
	7.4	Cylinder number/cubic capacity	st / cm ³	4 / 1.896	
	7.5.1	Fuel consumption as per EN 16796 (diesel)	l/h	2.2	2.4
	7.5.2	CO2 equivalent as per EN 16796 (diesel)	kg/h	6,99	7,63
Miscellaneous	8.1	Type of drive control		hydrostatic	
	10.1	Working pressure for attachment	bar	160	
	10.2	Oil flow for attachments	l/min	30	
	10.7	Sound level as per EN12053, operator's ear	dB (A)	77	
	10.8	Trailer coupling, model/type DIN		DIN 15170 H	
<p>- In accordance with VDI Guideline 2198 this data sheet provides details of the standard truck only. Non-standard tyres, different masts, optional equipment, etc. may result in different values.</p>					

- 1.8: +27.5 mm integrated sideshift

The German production facilities in
Norderstedt, Moosburg and Landsberg
are certified.

ISO 9001
ISO 14001

Jungheinrich fork lift trucks meet
European safety requirements.



 **JUNGHEINRICH**

The logo features a red upward-pointing arrow integrated into the letter 'J' of the word 'JUNGHEINRICH', which is written in a bold, black, sans-serif font.