

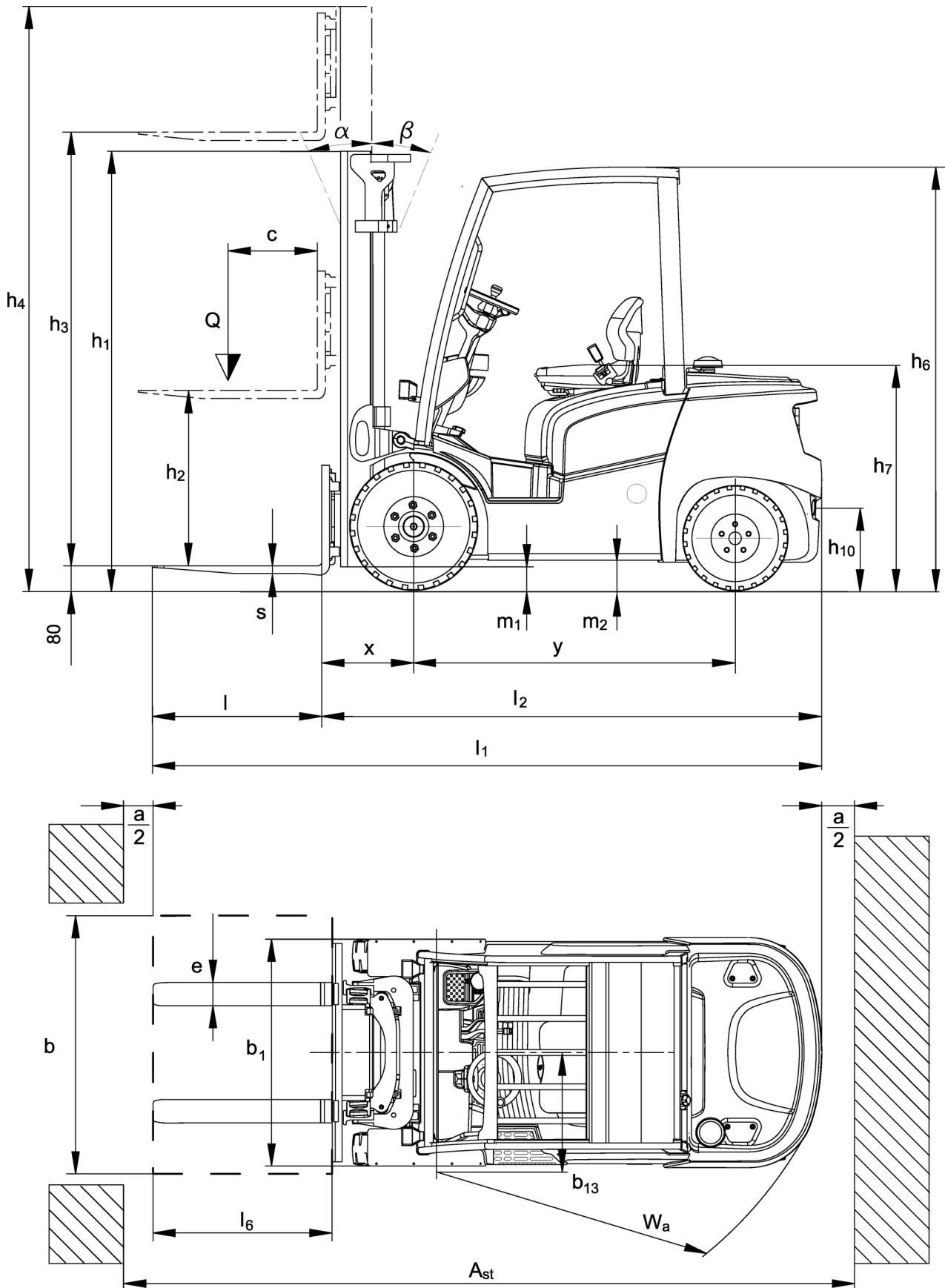


Diesel forklift truck

DFG 425s-435s

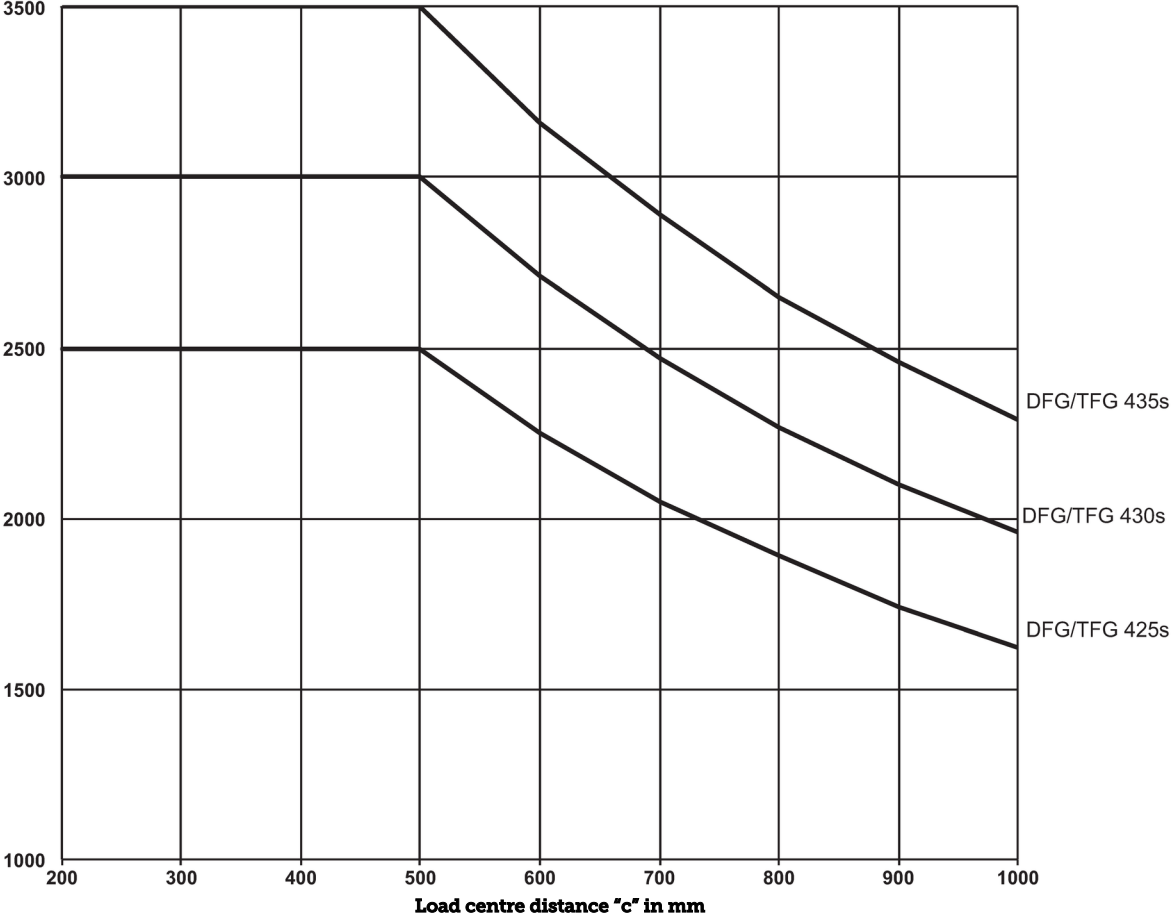
Lift height: 2.900-7500 mm / Load capacity: 2.500-3500 kg

DFG 425s-435s



DFG 425s-435s

Capacity (kg)



DFG 425s-435s

DFG 425s	Lift (h3)	Retracted mast height (h1)	Free lift (h2)	Extended mast height (h4)	Forward/backward tilt of mast
Duplex mast ZT	2900 mm	2121 mm	150 mm	3651 mm	6 / 6 °
	3100 mm	2221 mm	150 mm	3851 mm	6 / 8 °
	3300 mm	2321 mm	150 mm	4051 mm	6 / 8 °
	3500 mm	2421 mm	150 mm	4251 mm	6 / 8 °
	3700 mm	2521 mm	150 mm	4451 mm	6 / 8 °
	4000 mm	2671 mm	150 mm	4751 mm	6 / 8 °
	4300 mm	2871 mm	150 mm	5051 mm	6 / 8 °
	4500 mm	2971 mm	150 mm	5251 mm	6 / 8 °
	4700 mm	3071 mm	150 mm	5451 mm	6 / 6 °
	5000 mm	3221 mm	150 mm	5751 mm	6 / 6 °
	5500 mm	3521 mm	150 mm	6251 mm	6 / 6 °
	5800 mm	3671 mm	150 mm	6551 mm	6 / 6 °
	6000 mm	3771 mm	150 mm	6751 mm	6 / 6 °
Duplex mast ZZ	3100 mm	2186 mm	1600 mm	3686 mm	6 / 8 °
	3300 mm	2286 mm	1700 mm	3886 mm	6 / 8 °
	3500 mm	2386 mm	1800 mm	4086 mm	6 / 8 °
	3700 mm	2486 mm	1900 mm	4286 mm	6 / 8 °
	4000 mm	2636 mm	2050 mm	4586 mm	6 / 8 °
Triplex mast DZ	4400 mm	2086 mm	1500 mm	4986 mm	6 / 8 °
	4700 mm	2186 mm	1600 mm	5286 mm	6 / 8 °
	5000 mm	2286 mm	1700 mm	5586 mm	6 / 6 °
	5500 mm	2486 mm	1900 mm	6086 mm	6 / 6 °
	6000 mm	2686 mm	2100 mm	6586 mm	6 / 6 °
	6500 mm	2886 mm	2300 mm	7086 mm	6 / 6 °
	7000 mm	3086 mm	2500 mm	7586 mm	6 / 6 °
	7500 mm	3286 mm	2700 mm	8086 mm	6 / 6 °
DFG 430s	Lift (h3)	Retracted mast height (h1)	Free lift (h2)	Extended mast height (h4)	Forward/backward tilt of mast
Duplex mast ZT	2900 mm	2125 mm	150 mm	3660 mm	6 / 6 °
	3100 mm	2225 mm	150 mm	3860 mm	6 / 8 °
	3300 mm	2325 mm	150 mm	4060 mm	6 / 8 °
	3500 mm	2425 mm	150 mm	4260 mm	6 / 8 °
	3700 mm	2525 mm	150 mm	4460 mm	6 / 8 °
	4000 mm	2675 mm	150 mm	4760 mm	6 / 8 °
	4300 mm	2875 mm	150 mm	5060 mm	6 / 8 °
	4500 mm	2975 mm	150 mm	5260 mm	6 / 8 °
	4700 mm	3075 mm	150 mm	5460 mm	6 / 6 °
	5000 mm	3225 mm	150 mm	5760 mm	6 / 6 °
	5500 mm	3525 mm	150 mm	6260 mm	6 / 6 °
	5800 mm	3675 mm	150 mm	6560 mm	6 / 6 °
	6000 mm	3775 mm	150 mm	6760 mm	6 / 6 °
Duplex mast ZZ	3100 mm	2190 mm	1450 mm	3840 mm	6 / 8 °
	3300 mm	2290 mm	1550 mm	4040 mm	6 / 8 °
	3500 mm	2390 mm	1650 mm	4240 mm	6 / 8 °
	3700 mm	2490 mm	1750 mm	4440 mm	6 / 8 °
	4000 mm	2640 mm	1900 mm	4740 mm	6 / 8 °
Triplex mast DZ	4400 mm	2090 mm	1350 mm	5140 mm	6 / 8 °
	4700 mm	2190 mm	1450 mm	5440 mm	6 / 8 °

5000 mm	2290 mm	1550 mm	5740 mm	6 / 6 °	
5500 mm	2490 mm	1750 mm	6240 mm	6 / 6 °	
6000 mm	2690 mm	1950 mm	6740 mm	6 / 6 °	
6500 mm	2890 mm	2150 mm	7240 mm	6 / 6 °	
7000 mm	3090 mm	2350 mm	7740 mm	6 / 6 °	
7500 mm	3290 mm	2550 mm	8240 mm	6 / 6 °	
DFG 435s	Lift (h3)	Retracted mast height (h1)	Free lift (h2)	Extended mast height (h4)	Forward/backward tilt of mast
Duplex mast ZT	2900 mm	2205 mm	150 mm	3689 mm	6 / 6 °
	3100 mm	2305 mm	150 mm	3889 mm	6 / 8 °
	3300 mm	2405 mm	150 mm	4089 mm	6 / 8 °
	3500 mm	2505 mm	150 mm	4289 mm	6 / 8 °
	3700 mm	2605 mm	150 mm	4489 mm	6 / 8 °
	4000 mm	2755 mm	150 mm	4789 mm	6 / 8 °
	4300 mm	2955 mm	150 mm	5089 mm	6 / 8 °
	4500 mm	3055 mm	150 mm	5289 mm	6 / 8 °
	4700 mm	3155 mm	150 mm	5489 mm	6 / 6 °
	5000 mm	3305 mm	150 mm	5789 mm	6 / 6 °
	5500 mm	3605 mm	150 mm	6289 mm	6 / 6 °
	5800 mm	3755 mm	150 mm	6589 mm	6 / 6 °
	6000 mm	3855 mm	150 mm	6789 mm	6 / 6 °
Duplex mast ZZ	2900 mm	2170 mm	1400 mm	3670 mm	6 / 8 °
	3100 mm	2270 mm	1501 mm	3869 mm	6 / 8 °
	3300 mm	2370 mm	1601 mm	4069 mm	6 / 8 °
	3500 mm	2470 mm	1701 mm	4269 mm	6 / 8 °
	3700 mm	2570 mm	1801 mm	4469 mm	6 / 8 °
	4000 mm	2720 mm	1951 mm	4769 mm	6 / 8 °
Triplex mast DZ	4250 mm	2120 mm	1350 mm	5020 mm	6 / 6 °
	4400 mm	2170 mm	1401 mm	5169 mm	6 / 8 °
	4700 mm	2270 mm	1501 mm	5469 mm	6 / 8 °
	5000 mm	2370 mm	1601 mm	5769 mm	6 / 6 °
	5500 mm	2570 mm	1801 mm	6269 mm	6 / 6 °
	6000 mm	2770 mm	2001 mm	6769 mm	6 / 6 °
	6500 mm	2970 mm	2201 mm	7269 mm	6 / 6 °
	7000 mm	3170 mm	2401 mm	7769 mm	6 / 6 °
	7500 mm	3370 mm	2601 mm	8269 mm	6 / 6 °

VDI table

Stand-on: 06/2020

Kennzeichen	1.1	Manufacturer (abbreviated description)	Jungheinrich			
	1.2	Manufacturer's type designation	DFG 425s	DFG 430s	DFG 435s	
	1.3	Drive	Diesel			
	1.4	Operation	Seat			
	1.5	Load capacity/load	Q kg	2.500	3.000	3.500
	1.6	Load centre distance	c mm	500		
	1.8	Load distance, centre of drive axle to fork	x mm	473	493	498
	1.9	Wheelbase	y mm	1.750	1.820	1.880
Gewichte	2.1	Service weight	kg	3.960	4.440	4.815
	2.2	Axle load laden front/rear	kg	5.630 / 830	6.520 / 920	7.305 / 1.005
	2.3	Axle load unladen front/rear	kg	1.740 / 2.220	1.909 / 2.530	1.975 / 2.896
Räder/Fahrwerk	3.1	Tyres	SE			
	3.2	Tyre size, front	7.00-12	27x10-12		
	3.3	Tyre size, rear	6.50-10			
	3.5	Wheels, number front/back (x=driven)	2x/2			
	3.6	Tread width, front	b ₁₀ mm	1.000	1.060	
	3.7	Tread width, rear	b ₁₁ mm	942		
	Grundabmessungen	4.2	Retracted mast height (h1)	h ₁ mm	2.321	2.325
4.3		Free lift (h2)	h ₂ mm	150		
4.4		Lift (h3)	h ₃ mm	3.300		
4.5		Extended mast height (h4)	h ₄ mm	4.051	4.060	4.089
4.7		Height of overhead guard (cab)	h ₆ mm	2.220	2.238	
4.8		Seat height/stand height	h ₇ mm	1.058	1.076	
4.12		Coupling height	h ₁₀ mm	377	387	
4.19		Overall length	l ₁ mm	3.763	3.873	3.963
4.20		Length including fork shank	l ₂ mm	2.613	2.723	2.813
4.21.1		Overall width	b ₁ mm	1.184	1.320	
4.22		Fork dimensions	s/e/l mm	40 / 120 / 1.150	45 / 125 / 1.150	50 / 125 / 1.150
4.23		Fork carriage connection class		2A	3A	
4.24		Fork carriage width	b ₃ mm	1.120		
4.31		Ground clearance laden under mast	m ₁ mm	112	118	147
4.32		Ground clearance centre of wheelbase	m ₂ mm	130	148	
4.34		Aisle width (pallet 1000x1200 sideways)	Ast mm	3.958	4.075	4.153
4.34.1		Aisle width (pallet 800x1200 length)	Ast mm	4.158	4.275	4.353
4.35	Turning radius	W _a mm	2.285	2.377	2.455	
4.36	Smallest pivot point distance	b ₁₃ mm	640			
Leistungsdaten	5.1	Travel speed laden/unladen	km/h	19.6 / 19.6	20.8 / 20.8	
	5.2	Lift speed laden/unladen	m/s	0.56 / 0.56		0.48 / 0.48
	5.3	Lowering speed laden/unladen	m/s	0.56 / 0.56		
	5.5	Drawbar pull laden/unladen	N	19.160 /	18.100 /	
	5.7	Gradeability laden/unladen	%	27 /	24 /	21 /
	5.9	Acceleration time laden/unladen	s	4.9 / 4.4	5.4 / 4.6	5.7 / 4.7
	5.10	Service brake		hydrostatic		
	5.11	Parking brake		Automatically engaging parking brake		

V-Motor	7.1	Motor manufacturer/type		VW 2.0 CR / CPYB (IIIB)		
	7.2	Motor power as per DIN ISO 1585	kW	44		
	7.3	Rated speed	1/min	2.700		
	7.4	Cylinder number/cubic capacity	st / cm ³	4 / 1.968		
	7.5.1	Fuel consumption as per EN 16796 (diesel)	l/h	2.9	3.1	3.3
	7.5.2	CO2 equivalent as per EN 16796 (diesel)	kg/h	9,21	9,85	10,48
Sonstiges	8.1	Type of drive control		hydrostatic		
	10.1	Operating pressure for attachment	bar	215		
	10.2	Oil flow for attachments	l/min	32		
	10.7	Sound level as per EN12053, operator's ear	dB (A)	75		
	10.8	Trailer coupling, model/type DIN		DIN 15170 H		
- This data sheet according to VDI guideline 2198 only states the technical values of the standard truck. Different tyres, other masts, additional equipment etc. may result in different values.						

- 1.8: DFG 425s + 12 mm with integrated sideshift - 1.8: DFG 430s + 15 mm with integrated sideshift - 1.8: DFG 435s + 15 mm with integrated sideshift

The German production facilities in
Norderstedt, Moosburg and Landsberg
are certified.

ISO 9001
ISO 14001

Jungheinrich fork lift trucks meet
European safety requirements.



 **JUNGHEINRICH**

The Jungheinrich logo, featuring a red upward-pointing arrow integrated into the letter 'J', followed by the brand name 'JUNGHEINRICH' in a bold, black, sans-serif font.