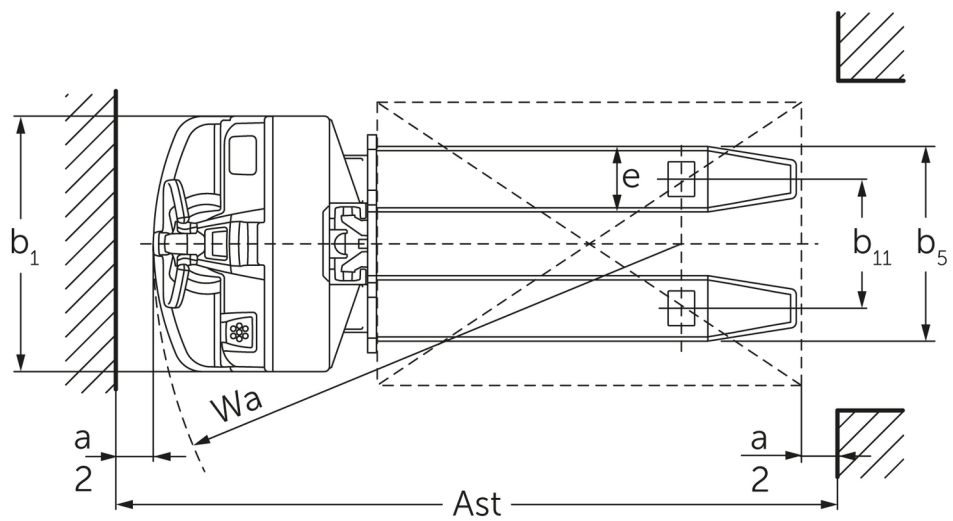
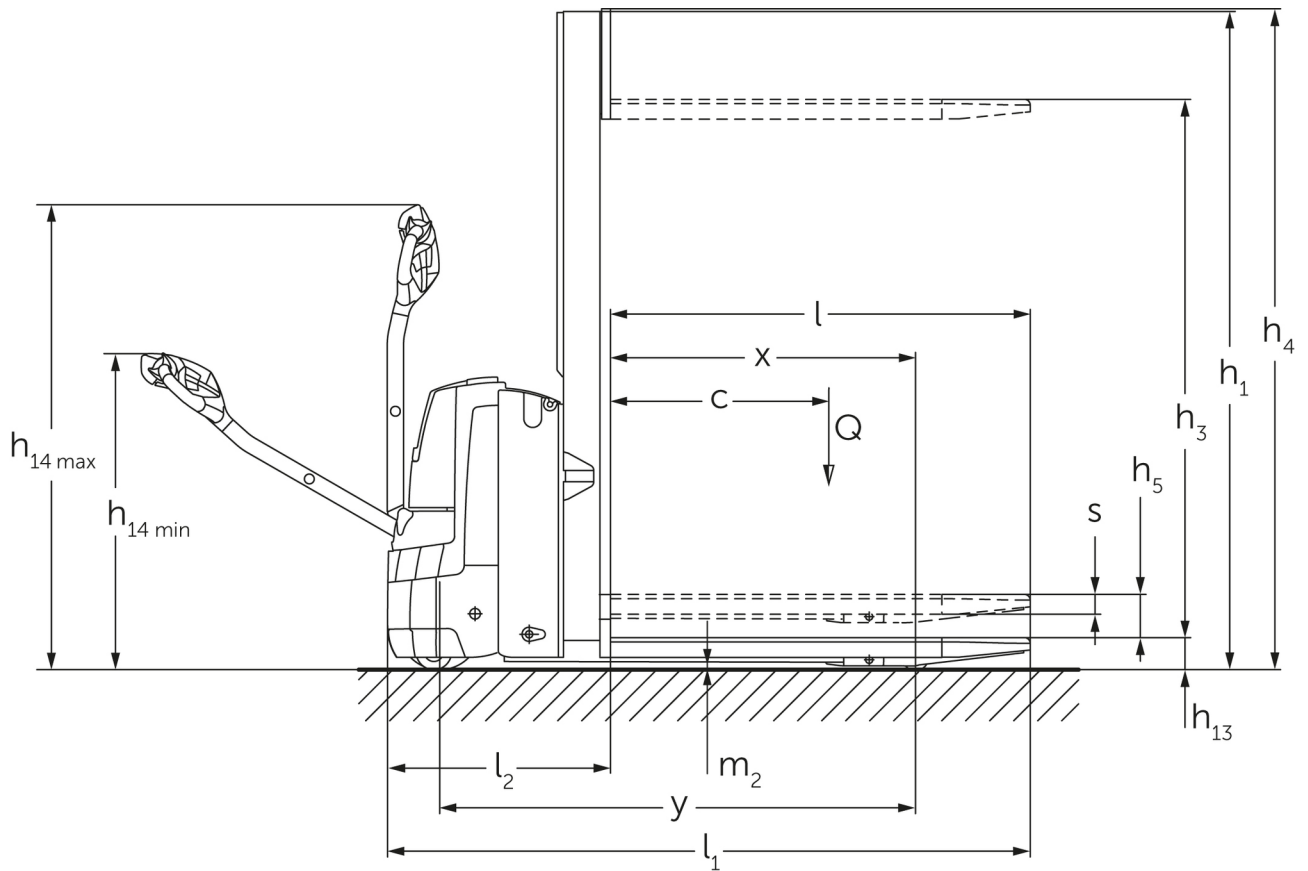




Electric pedestrian pallet truck **EMD 118**

Lift height: 600-1520 mm / Load capacity: 1500-1800 kg

EMD 118



EMD 118

EMD 118

EMD 118	Lift (h3)	Retracted mast height (h1)
Mono Mast MM	600 mm	955 mm
	1520 mm	1865 mm

VDI table

Stand-on: 06/2021

Characteristic	1.1	Manufacturer (abbreviated description)		Jungheinrich
	1.2	Manufacturer's type designation		EMD 118
	1.3	Drive		Electric
	1.4	Operation		Pedestrian
	1.5	Load capacity/load	Q kg	1800
	1.5.1	Rated capacity/load with mast lift	Q kg	800
	1.5.2	Rated capacity/load with support arm lift	Q kg	2000
	1.6	Load centre distance	c mm	600
	1.8	Load distance, centre of drive axle to fork	x mm	942
1.9	Wheelbase	y mm	1426	
Weights	2.1.1	Service weight (incl. battery)	kg	650
	2.2	Axle load laden front/rear	kg	720 / 1730
	2.3	Axle load unladen front/rear	kg	470 / 180
Wheels/suspension system	3.1	Tyres		PU
	3.2	Tyre size, front		Ø 230 x 65
	3.3	Tyre size, rear		Ø 75 x 95 / Ø 75 x 75
	3.4	Additional wheels		Ø 100 x 40
	3.5	Wheels, number front/back (x=driven)		1x +2 / 2
	3.6	Tread width, front	b ₁₀ mm	508
	3.7	Tread width, rear	b ₁₁ mm	365
Basic dimensions	4.2	Retracted mast height (h1)	h ₁ mm	1865
	4.3	Free lift (h2)	h ₂ mm	1520
	4.4	Lift (h3)	h ₃ mm	1520
	4.5	Extended mast height (h4)	h ₄ mm	1987
	4.6	Initial lift	h ₅ mm	122
	4.9	Height of tiller handle in drive position min./max.	mm	797 / 1313
	4.15	Height, lowered	h ₁₃ mm	86
	4.19	Overall length	l ₁ mm	1818
	4.20	Length including fork shank	l ₂ mm	628
	4.21.1	Overall width	b ₁ mm	726
	4.22	Fork dimensions	s/e/l mm	56 x 185 x 1190
	4.25	Width across forks	b ₅ mm	550
	4.32	Ground clearance centre of wheelbase	m ₂ mm	20
	4.34	Aisle width (pallet 1000x1200 sideways)	Ast mm	2018
	4.34.1	Aisle width (pallet 800x1200 length)	Ast mm	2028
4.35	Turning radius	W _a mm	1522	
Performance data	5.1	Travel speed laden/unladen	km/h	6 / 6
	5.2	Lift speed laden/unladen	m/s	0.18 / 0.3
	5.3	Lowering speed laden/unladen	m/s	0.19 / 0.19
	5.7	Gradeability laden/unladen	%	8 / 15
	5.10	Service brake		generative
E-motor/Electronics	6.1	Drive motor, performance S2 60 min	kW	1
	6.2	Lift motor, performance with S3	kW	1.2
	6.3	Battery according to DIN 43531/35/36		DIN 43535 B
	6.4	Battery voltage/nominal capacity	V / Ah	24 / 150
	6.5	Battery weight	kg	151
	6.6.1	Energy consumption according to EN cycle	kWh/h	0.58

	6.6.2	CO2 equivalent as per EN 16796	kg/h	0.3
Other	8.1	Type of drive control		AC
	10.7	Sound level as per EN12053, operator's ear	dB (A)	64
- This data sheet according to VDI guideline 2198 only states the technical values of the standard truck. Different tyres, other masts, additional equipment etc. may result in different values.				

With EMD 118 values for S-VBE battery compartment, MM1520 mast, 150-Ah battery, raised support arms

With EMD 115i values for XS battery compartment, MM1520 mast, 40-Ah battery, raised support arms

- VDI no. 1.5 with EMD 115i: in double-decker operation: mast lift max. 0.75 t / overall load max. 1.5 t
- VDI no. 1.5 with EMD 118: in double-decker operation: mast lift max. 0.8 t / overall load max. 1.8 t
- VDI no. 1.5.2 with EMD 115i: in double-decker operation: mast lift max. 0.75 t / overall load max. 1.5 t
- VDI no. 1.5.2 with EMD 118: in double-decker operation: mast lift max. 0.8 t / overall load max. 1.8 t
- VDI no. 1.8: with lowered support arms: x + 48 mm
- VDI no. 1.9: with lowered support arms: y + 48 mm
- VDI no. 4.34: diagonal as per VDI: working aisle width (Ast) + 313 mm
- VDI no. 4.34.1: diagonal as per VDI: working aisle width (Ast) + 198 mm
- VDI no. 4.35: with lowered support arms: Wa + 48 mm

The German production facilities in
Norderstedt, Moosburg and Landsberg
are certified.

ISO 9001
ISO 14001

Jungheinrich fork lift trucks meet
European safety requirements.



 **JUNGHEINRICH**