

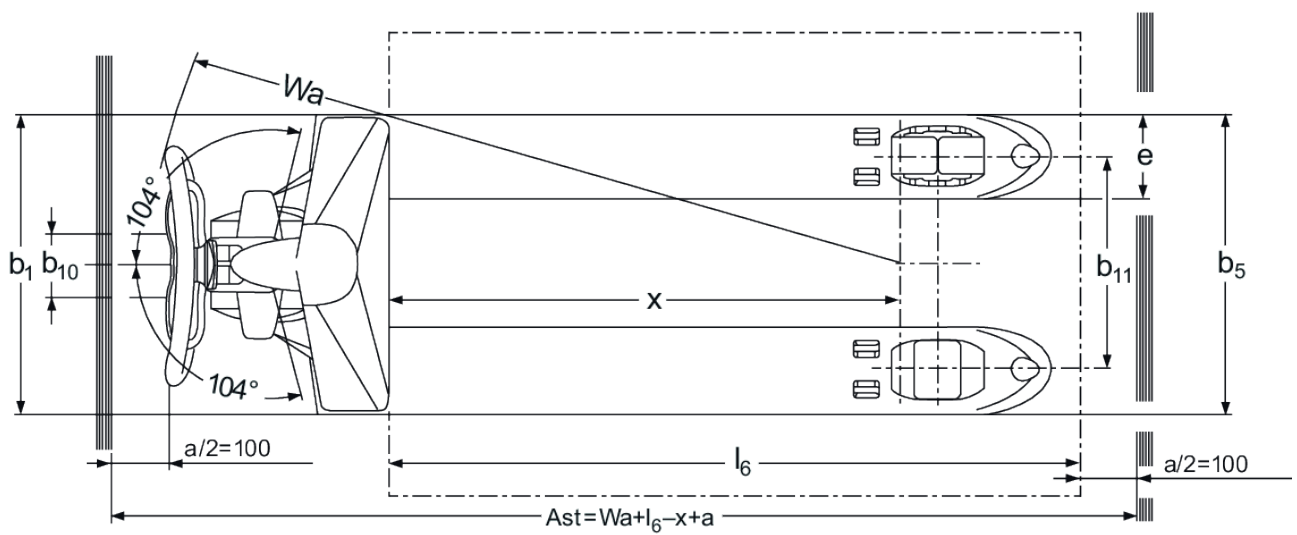
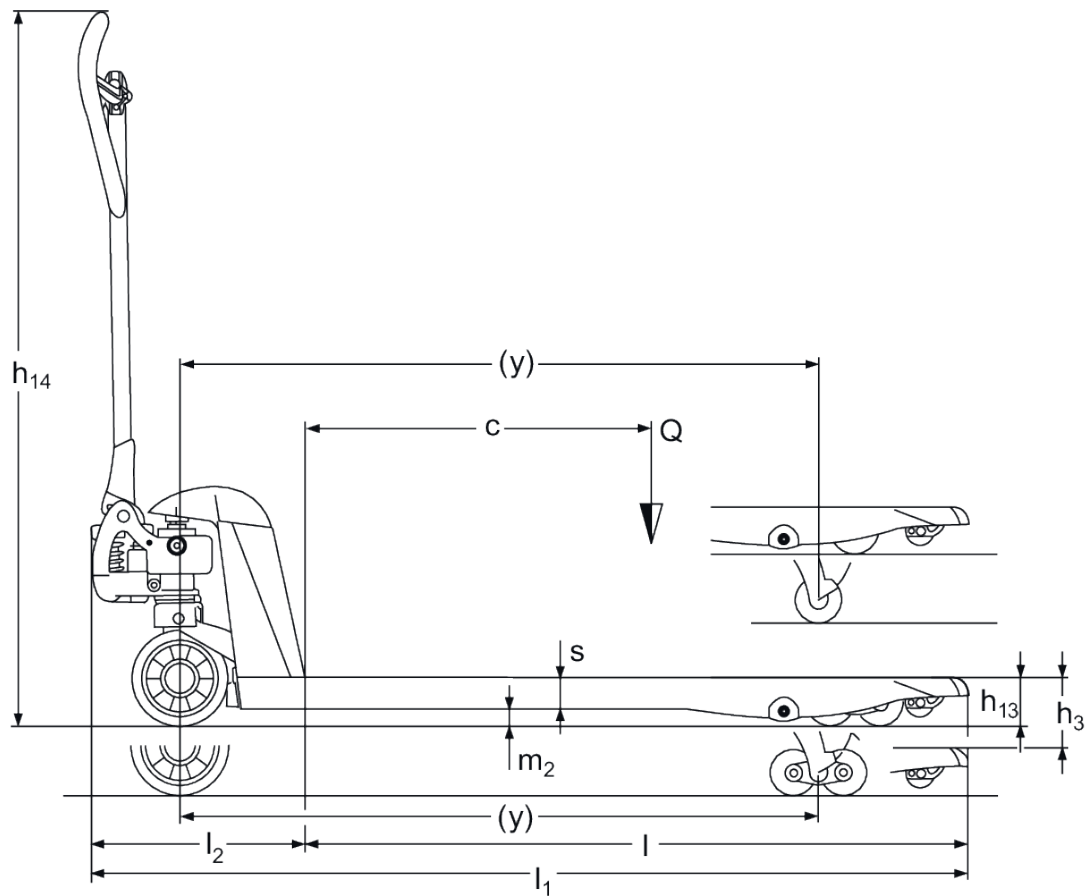


Hand pallet truck galvanised **AM G20**

Lift height: 122 mm / Load capacity: 2000 kg

JUNGHEINRICH

AM G20



VDI table

Stand-on: 07/2021

Characteristic	1.1	Manufacturer (abbreviated description)	Jungheinrich											
	1.2	Manufacturer's type designation	AM G20											
	1.3	Drive	Manual											
	1.4	Operation	Manual											
	1.5	Load capacity/load	Q	kg 2000										
	1.6	Load centre distance	c	mm 600 500 600 400 500 400 500 600										
	1.9	Wheelbase	y	mm 1110 - 1110 910 - 755 -										
Weights	2.1	Service weight	kg 61 60 54 63 51 52 56 57 59 63											
	2.3	Axle load unladen front/rear	kg 38 / 20 - 38 / 20 -											
Wheels/suspension system	3.1	Tyres	Nylon V Nylon V Nylon V Nylon V											
	3.2	Tyre size, front	Ø 170x50 - Ø 170x50 - Ø 170x50 -											
	3.3	Tyre size, rear	Ø 82x96 - Ø 82x96 - Ø 82x96 -											
	3.5	Wheels, number front/back (x=driven)	2/2 - 2/2 - 2/2 -											
	3.6	Tread width, front	b ₁₀	mm 109 - 109 - 109 -										
	3.7	Tread width, rear	b ₁₁	mm 370 - 370 - 370 -										
	Basic dimensions	4.4	Lift (h ₃)	h ₃ mm 122										
4.14		Stand height, elevated	h ₁₂ mm 205 - 205 - 205 -											
4.15		Height, lowered	h ₁₃ mm 83											
4.19		Overall length	l ₁ mm 1520 - 1523 1320 - 1165 -											
4.20		Length including fork shank	l ₂ mm 373 - 373 - 373 -											
4.21.1		Overall width	b ₁ mm 520 - 520 - 520 - 520 -											
4.22		Fork dimensions	s/e/l mm 53 x 150 x 1150 - 53 x 150 x 1150 53 x 150 x 950 - 53 x 150 x 795 -											
4.32		Ground clearance centre of wheelbase	m ₂ mm 30 - 30 - 30 -											
4.34		Aisle width (pallet 1000x1200 sideways)	A _{st} mm 1734 - 1734 1584 - 1584 -											
4.34.1		Aisle width (pallet 800x1200 length)	A _{st} mm 1784 - 1784 - 1784 -											
4.35	Turning radius	W _a mm 1274 - 1274 1074 - 919 -												
Performance data	5.3	Lowering speed laden/unladen	m/s 0.09 / 0.02 - 0.09 / 0.02 - 0.09 / 0.02 -											
<p>- This data sheet according to VDI guideline 2198 only states the technical values of the standard truck. Different tyres, other masts, additional equipment etc. may result in different values.</p>														

The German production facilities in
Norderstedt, Moosburg and Landsberg
are certified.

ISO 9001
ISO 14001

Jungheinrich fork lift trucks meet
European safety requirements.



 **JUNGHEINRICH**

The Jungheinrich logo, featuring a red upward-pointing arrow above the word 'JUNGHEINRICH' in a bold, black, sans-serif font.